

Fireproof Sealing Solution For Gun Safes And Fire Safes

Fire Seal for Gun Cabinets offers excellent fire protection properties and is able to expand rapidly at high temperatures to form an effective fire barrier, while providing excellent sealing properties to prevent the ingress of smoke and harmful gases.

3-30 times Expansion Ratio

Fireproof Seal UL72/BS476 Test Certificate

Waterproof Seal 2 Feet Flood Water For 7Days



**RYZW SERIES
RIGID PVC CASE FIREPROOF INTUMESCENT SEAL FOR GUN SAFES**



RYZW Series fireproof intumescent seal is a kind of adhesive-backed seal with sodium silicate intumescent core inside and hard PVC casing outside.

Expansion ratio: 3-5times

Activate temperature: 100°C-120°C

Fire rated test: UL72

Material comply with RoHS

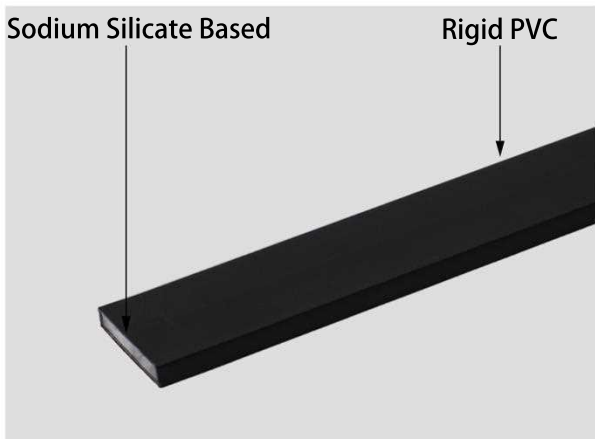
Function: Seal gap to prevent fire and heat spreading

Product comes with strong self-adhesive

Length: 1750-2200mm or customized

Regular color is black

Color customization is available



RYZW activates at 100°C-120°C and expands 3-5 times from thickness direction to seal the space between gun safes door and frame prevent the heat and fire spreading to inside.



When meet fire, RYZW fireproof intumescent seals will fill the gun safe gaps more rapidly than other materials. It cooperates to protect inside cash, document, jewelry computers equipment and guns away from carbonization and damage.

**RYZW SERIES
RIGID PVC CASE FIREPROOF INTUMESCENT SEAL FOR GUN SAFES**



RYZW uses high-performance grid type double-sided tape for easy peel-n-stick application. The tape is strong and approved suitable for different surface spray designs of gun safes.

Installation Guiding Manual is supplied.



| Dimension List of RYZW Series Rigid intumescent Fire Seals | | | | |
|--|----------------|------------|-------------|--|
| Product Code | Thickness (mm) | Width (mm) | Length (mm) | Cutting Length |
| RYZW2815 | 2.8 | 15 | 1750-2200 | Accurate length cutting service is available |
| RYZW3010 | 3.2 | 10 | 1750-2200 | |
| RYZW3015 | 3.2 | 15 | 1750-2200 | |
| RYZW3020 | 3.2 | 20 | 1750-2200 | |

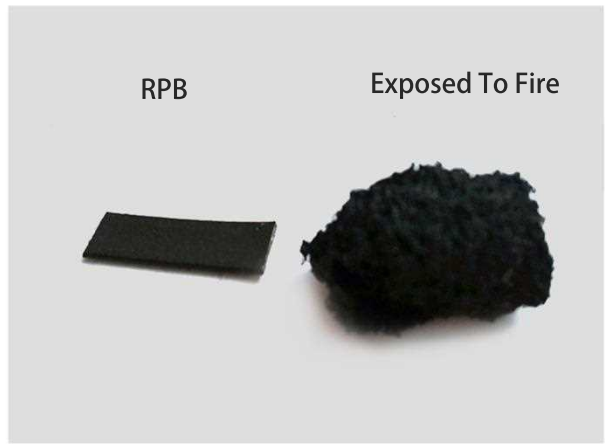
**RPB SERIES
FLEXIBLE FIREPROOF INTUMESCENT SEAL FOR FIREPROOF SAFES AND FILE CABINETS**



RPB series flexible fireproof intumescent seal is made from an unique chemical formulation based upon expandable graphite.

- Expansion ratio: 20-30times
- Fire rated test: BS476
- Function: Seal gap to prevent fire and heat spreading
- Product comes with strong self-adhesive
- Length: 50m/roll or customized

Regular color is black
 Color customization is available

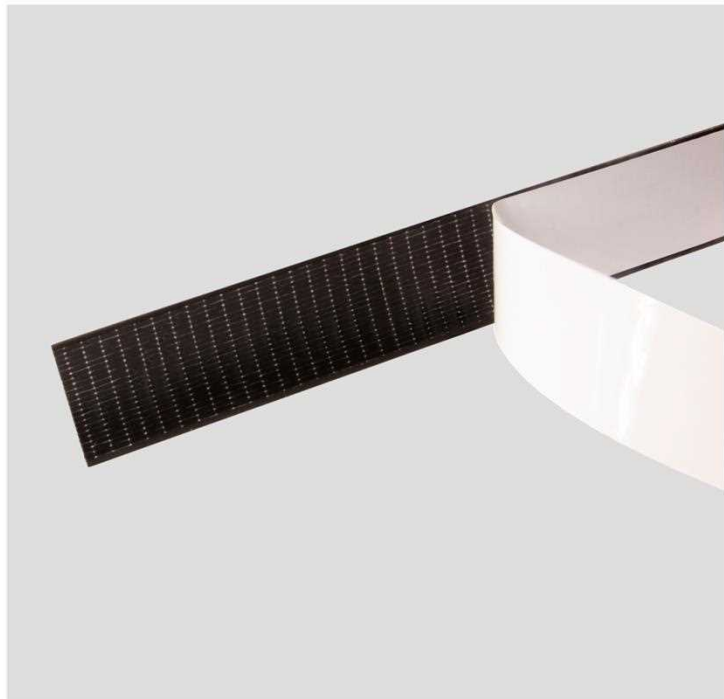


RPB is flexible and easy to be cut and stick on the door frame of fireproof safes and file cabinets. When fire happens, it will expand 20-30 times than original volume to seal the gap between door and frame to avoid fire and heat spreading to the safes inside.



The raw material is high grade expandable graphite flake for excellent expansion ratio and fire preventing performance.

**RPB SERIES
FLEXIBLE FIREPROOF INTUMESCENT SEAL FOR FIREPROOF SAFES AND FILE CABINETS**



RPB uses high-performance grid type double-sided tape for easy peel-n-stick application. The tape is strong and approved suitable for different surface spray designs of fireproof safe and file cabinet.



| Product Code | T*W (mm) | Product Code | T*W (mm) |
|--------------|----------|--------------|----------|
| RPB0508 | 0.5*8 | RPB1510 | 1.5*10 |
| RPB0520 | 0.5*20 | RPB1515 | 1.5*15 |
| RPB1008 | 1.0*8 | RPB1520 | 1.5*20 |
| RPB1010 | 1.0*10 | RPB1525 | 1.5*25 |
| RPB1020 | 1.0*20 | RPB2010 | 2.0*10 |
| RPB1028 | 1.0*28 | RPB2015 | 2.0*15 |
| RPB1031 | 1.0*31 | RPB2020 | 2.0*20 |

-Sizes and length are available to be customized
 -Notice: Regular material and RoHS material for choosing
 -If no specify, the quotation and supplying is according to regular material

**RPBJQC SERIES
FIREPROOF INTUMESCENT SEAL FOR FIREPROOF SAFES AND FILE CABINETS**



Fireproofing



Smokeproof

RPBJQC series flexible fireproof intumescent seal consists of a high-performance intumescent core, with a protective extruded PVC casing with fins- durable in everyday service, but designed to soften and melt in the same temperature range as the core begins to expand.

Expansion ratio: 7-10times

Function: Seal gap to prevent smoke fire and heat spreading

Product comes with strong self-adhesive

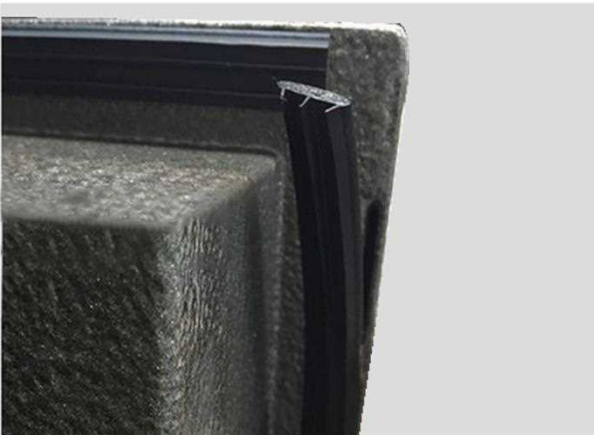
Regular color is black

Color customization is available

| Product | T×W(mm) | Drawing |
|---------|---------|---------|
| RPBJQC | 2.9×16 | |



The hard reinforcement part obviously avoid the shrinkage of the seal strip itself and make the adhesive combined with seal strip surface perfectly and solidly.



RPBJQC is suitable for use around the perimeter of safe door and door frame. When fire happens, it will expand 7-10times to seal the space between safe door and frame to avoid the smoke fire and heat spreading to the safe inside. There are no smoke and heat leakage during this period to protect inside guns luxury material, important documents away from damage.

**RSR/RPB SERIES
FIREPROOF INTUMESCENT AND SMOKE SEAL FOR GUN SAFES AND FIREPROOF SAFES**



Fireproofing



Smokeproof

RSR/RPB series flexible fireproof intumescent and smoke seal is kind of high temperature extruded silicone gasket compounding with RPB series intumescent seals.

Intumescent material expansion ratio: 20-30times

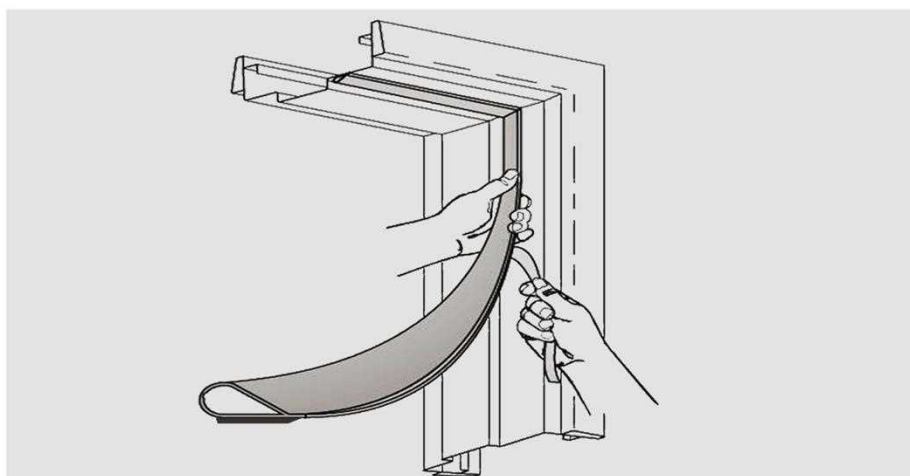
Demonstrates extremely low closing force

Impervious to fungus and mildew

Function: Seal gap to prevent smoke weather dust fire and heat spreading

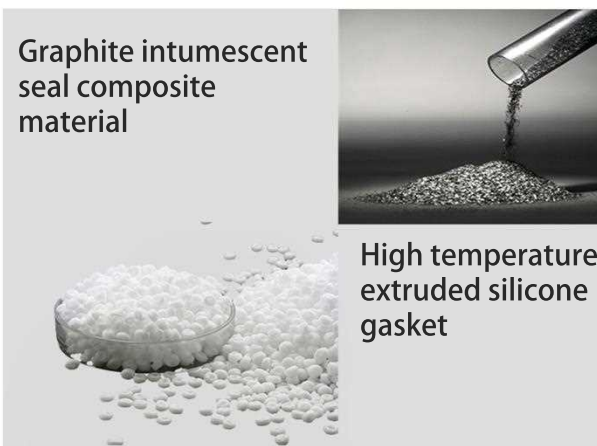
Product comes with strong self-adhesive

Color is optional



Graphite Fireproof Core

RSR/RPB can be used on gun safes and fireproof safes where require both fire and smoke protection it helps to slow the passage of smoke weather dust fire and heat.



Graphite intumescent seal composite material



High temperature extruded silicone gasket

Raw materials contain high grade graphite and silicone for excellent fire preventing performance.

RSR SERIES SMOKE SEAL FOR GUN SAFES AND FIREPROOF SAFES

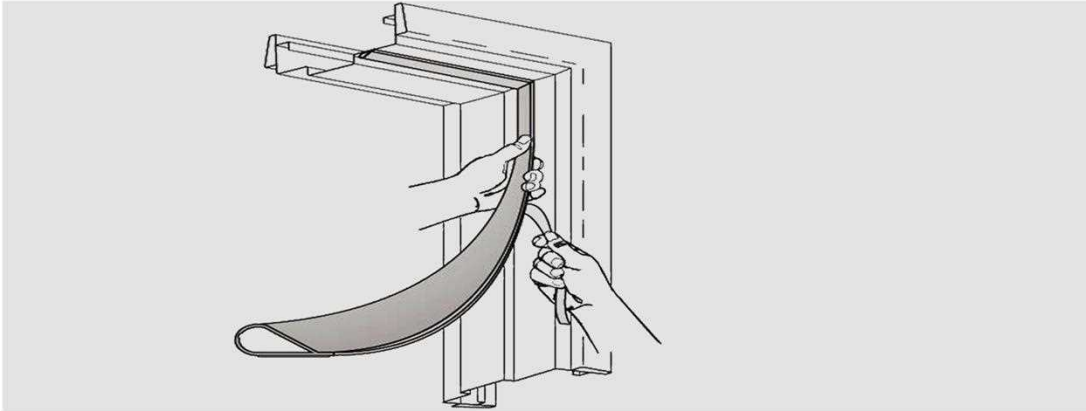


Smokeproof

RSR series smoke seal is manufactured of high temperature silicone rubber which is self-extinguishing. It can be used on gun safes and fireproof safes that require smoke protection.

Designed for tighter frames
 Demonstrates extremely low closing force
 Impervious to fungus and mildew
 Function: Seal gap to prevent smoke weather dust
 Product comes with strong self-adhesive
 Length: 200m/roll and 2 rolls/carton

Color is optional

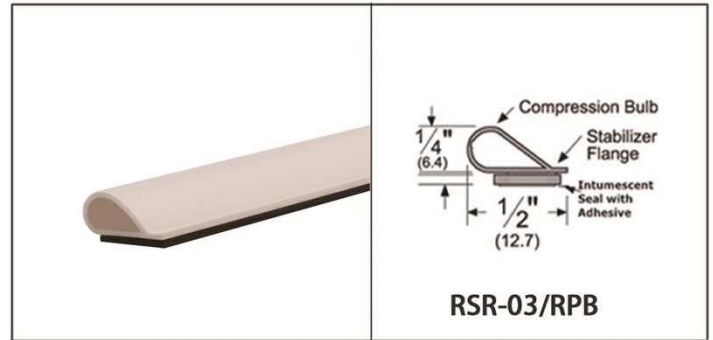
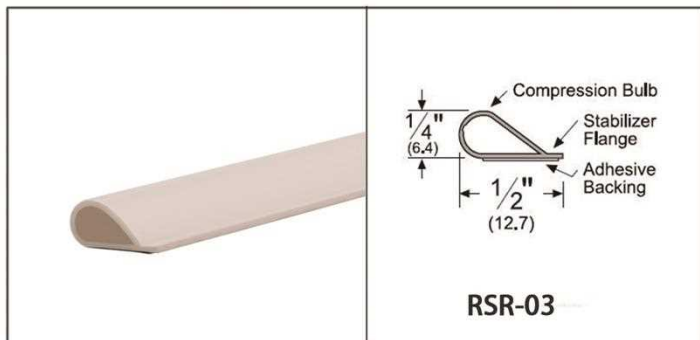
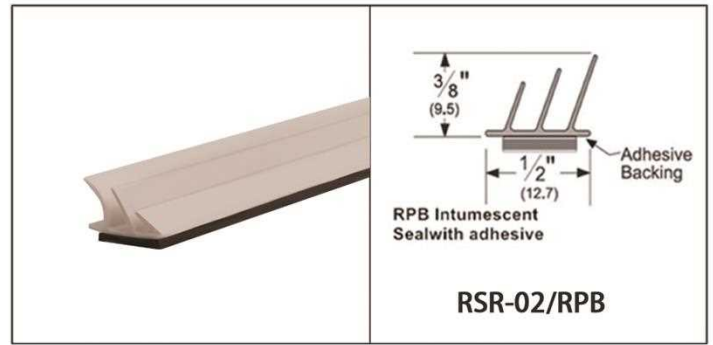
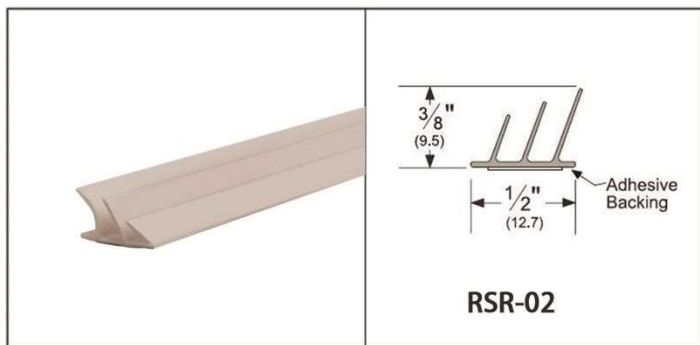
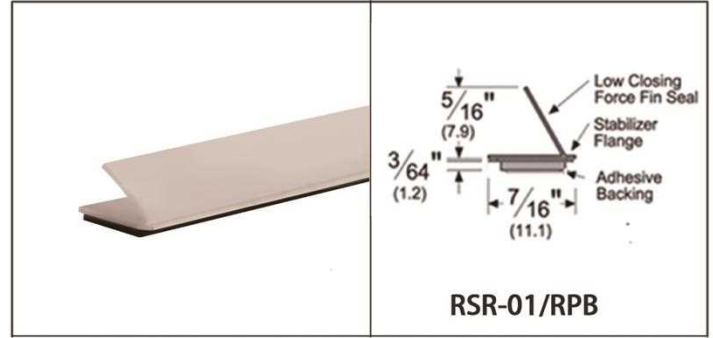
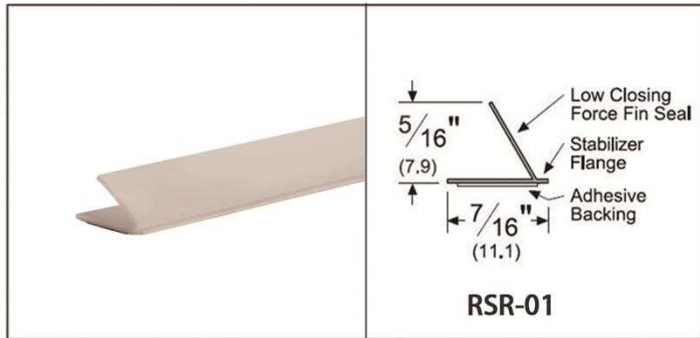


RSR is an adhesive-backed silicone gasket seal, it demonstrates extremely low closing force with excellent compression and the door latches easily.



It can be installed on the perimeter of gun safes and fireproof safes door opening to slow and prevent the passage of smoke weather sound and dirt.

**RSR SERIES
RSR/RPB SERIES SIZE CHART**



**REPDM-DJ SERIES
WATERPROOF SEAL FOR GUN SAFES AND FIREPROOF SAFES**



During a flood or when firefighters use water to extinguish a fire, water can likely enter the safes through the gaps between the door and the door frame. The REPDM-DJ series waterproof seal is designed specifically for waterproof gap sealing, effectively preventing water from seeping inside under high pressure or prolonged immersion.

| Product Code | Drawing | Height × Width × Thickness (mm) |
|--------------|---------|---------------------------------|
| REPDM-DJ | | 13.7 × 20 × 4.2/2.7 |
| | | 8 × 20 × 2.5/2.5 |
| | | 8 × 15 × 2.5/2.5 |



When fitting REPDM-DJ into your gun safes, choose the high-performance tape that creates a moisture barrier and airtight seal between seals and gun safe frame.



Gun safes and fireproof safes usually require both REPDM-DJ waterproof seals and RYZW fireproof intumescent fire seals for waterproof and fireproof sealing purpose.

Contact Us



Contact Us

We appreciate your interest in our products. For inquiries and further information please reach out to us through the following channels

☎ Tel./WhatsApp: 0086-18845111091

🌐 Email: sales@ressatech.com

✉ Website: www.ressaseal.com

Follow us on social media for the latest product updates!

Facebook: <https://www.facebook.com/ressaseal>

Youtube: <https://www.youtube.com/@Ressaintumescentseal>

LinkedIn: <https://www.linkedin.com/company/ressaintumescentseal>

Instagram: <https://www.instagram.com/ressaseal/>

Twitter: <https://x.com/ressaseal>

pinterest: <https://www.pinterest.com/ressaintumescentseal/>

Tiktok: <https://www.tiktok.com/@intumescentsealressa>

We look forward to assisting you!