

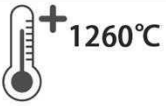
Fireproof Sealing Solution For Fire Glass

The fireproof sealing solution includes the fireproof intumescent seals, flame retardant seals and high temperature resistant ceramic glazing sealing strips. In case of fire, material will form an insulation barrier to block the passage of flame heat and smoke.

Materials also provide good sealing and sound insulation performance in daily life to help saving energy.

Adaptive

Good flexibility and elasticity, can effectively fill various shapes of gaps



Resistant to temperatures in excess of 1260 degrees Celsius

RHC series
ceramic sealing tape

RPB-YX series
special shape fireproof intumescent

RPB series
flexible fireproof intumescent

RBF series
weather stripping

RY-EPDM series
weather sealing strip



**RPB SERIES
FLEXIBLE FIREPROOF INTUMESCENT SEAL FOR FIREPROOF WINDOWS**



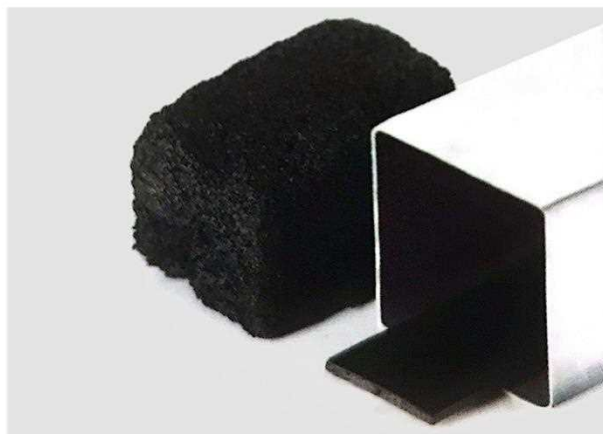
When meet fire, RPB series fireproof intumescent seal rapidly expands within the fire resistance limit of window profile, quickly fills the gaps and holes, it forms an effective insulation layer and smoke barrier for the fireproof window.

Expansion ratio: 7-30times
 Length: 50m/roll or customized
 Application: Steel/Wooden/Aluminum fireproof windows

Regular color is black
 Color customization is available

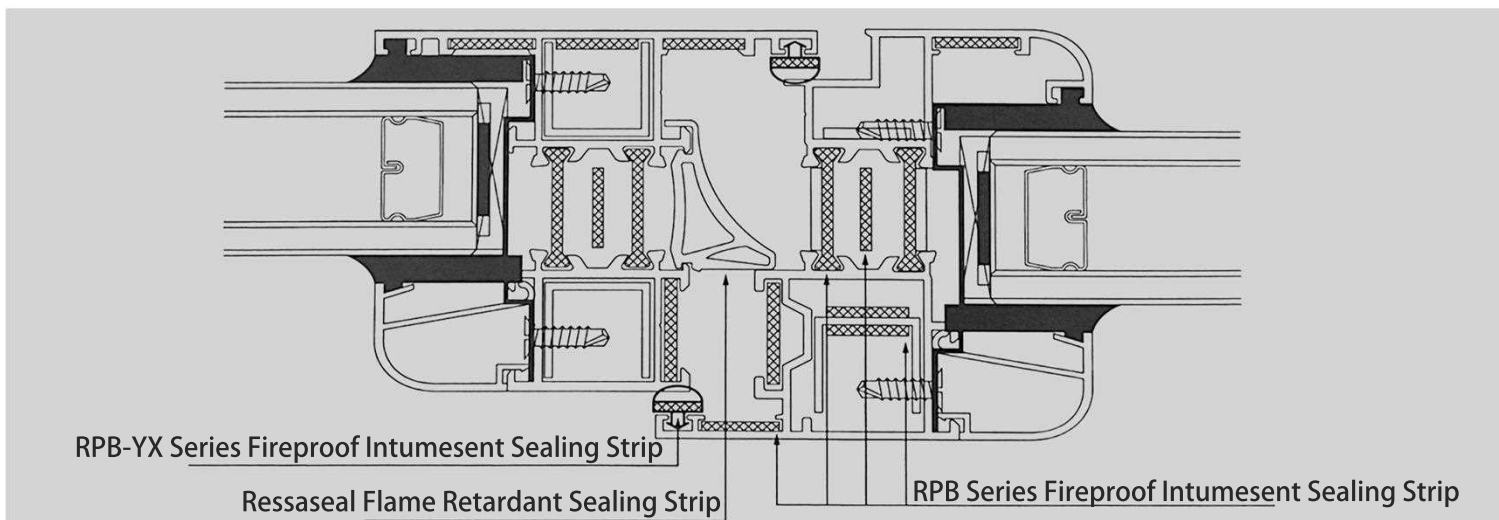


- Where need RPB for fireproof window?
- The cavity of aluminum alloy window profile
 - The surroundings of glass and profile
 - Gaps between window leaf and frame profile
 - Gaps between whole window and solid wall



When expansion starts, material does not turn into ash scatter or disperse, maintaining expanding foam body.

**RPB SERIES
FLEXIBLE FIREPROOF INTUMESCENT SEAL FOR FIREPROOF WINDOWS**



Product Code	T*W (mm)	Product Code	T*W (mm)
RPB0208	2*8	RPB0220	2*20
RPB0210	2*10	RPB0225	2*25
RPB0212	2*12	RPB0230	2*30
RPB0215	2*15	RPB0235	2*35
RPB0218	2*18	RPB0240	2*40



Product Code	T*W (mm)	Product Code	T*W (mm)
RPB0310	3*10	RPB0415	4*15
RPB0315	3*15	RPB0420	4*20
RPB0410	4*10	RPB0425	4*25
RPB0412	4*12	RPB0625	6*25

-Sizes are available to be customized
 -Regular material and RoHS material for choosing
 -If no specify, the quotation and supplying is according to regular material

RPB-YXGD SERIES SPECIAL SHAPE FIREPROOF INTUMESCENT SEAL FOR GLASS DOORS

RPB-YXGD series special shape fireproof intumescent seal is suitable for fireproof timber and steel doors with glazing vision insulating and non-insulating glasses.

Expansion ratio: 7-20times
 Unaffected by water robust and difficult to tear
 Easy installation no need special tools
 All sizes and shapes can be customized

Regular color is black
 Color customization is available

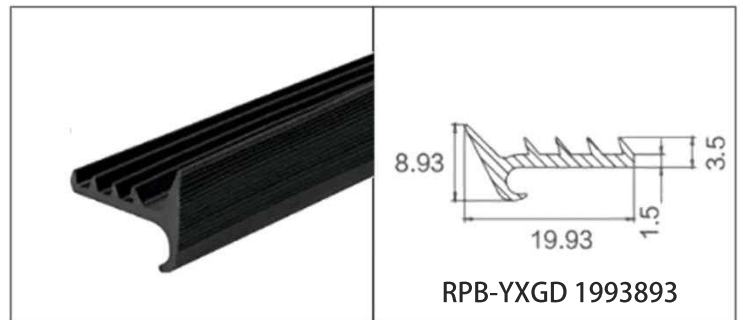
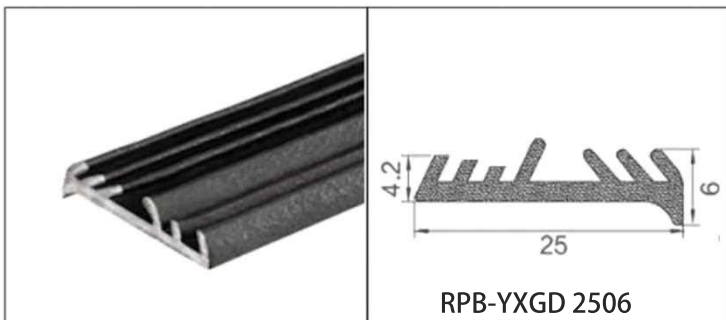
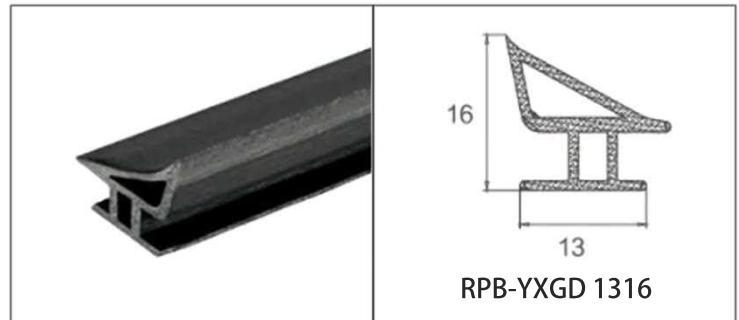
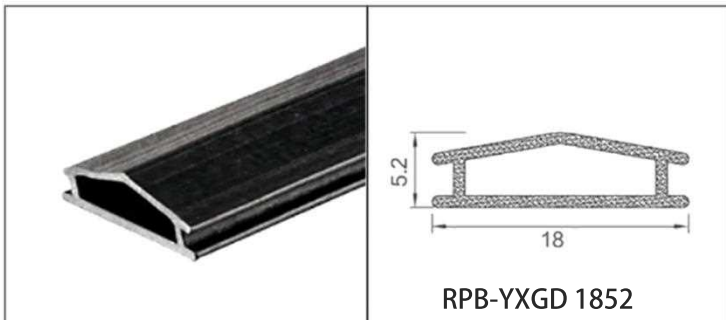
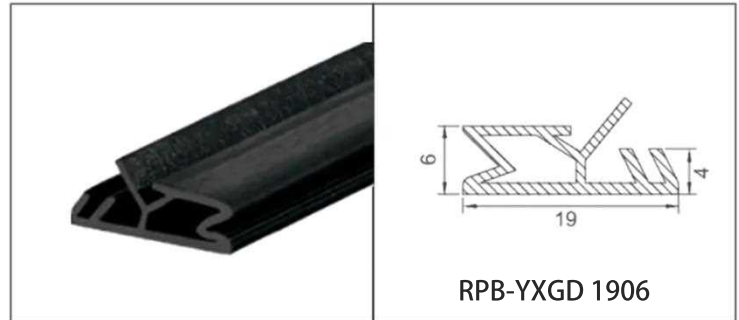
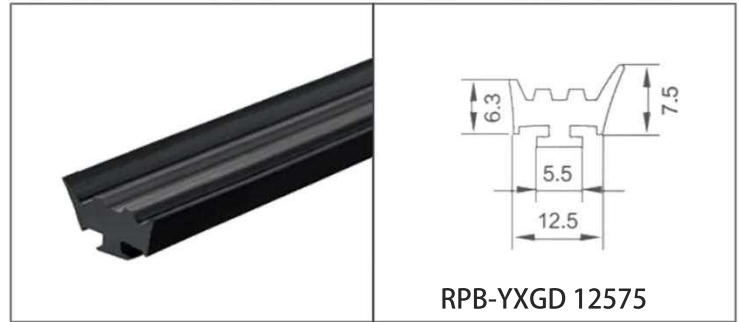
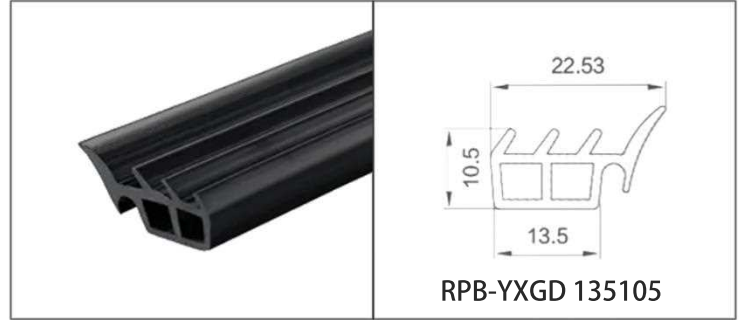


The intumescent systems have been specially formulated to accommodate the expansion in the glass during a fire situation.



In the event of a fire, it will expand multi-directionally in volume to effectively seal and insulate the glass into the aperture, providing a fire-resistant sealing.

**RPB-YXGD SERIES
SPECIAL SHAPE FIREPROOF INTUMESCENT SEAL FOR GLASS DOORS**



RY-EPDM SERIES WEATHER SEALING STRIP FOR BRIDGE ALUMINIUM

RY-EPDM series weather sealing strip realize seamless corner joining process, sealing effect is more excellent. The combination of dense and foam technology, reasonable design will achieve the best heat preservation and sound insulation effect. Excellent aging-resistant materials can be adapted to a variety of working environments. A variety of production processes, can provide the best design in a timely manner. Colorful raw materials can be produced to meet a variety of design needs.

Working temperature in -40°C - 150°C

Service life can reach more than 25 years

Thermal and acoustic insulation to the extreme

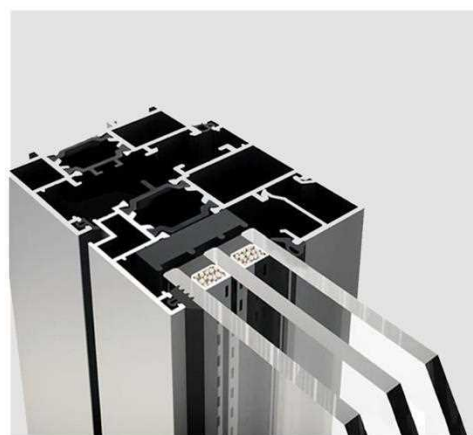
Clip line production to prevent transition stretching

Seamless corner joining process for better sealing effect

Resistant to aging and adaptable to a variety of working environments

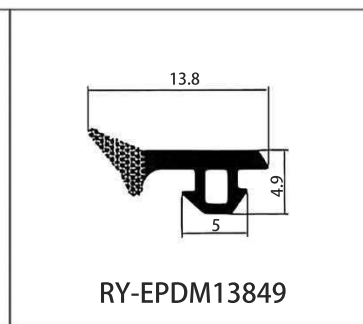
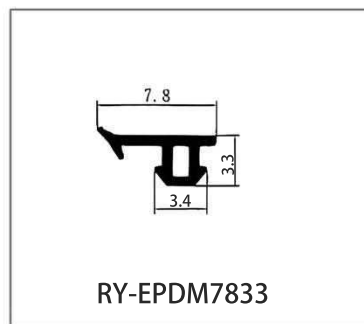
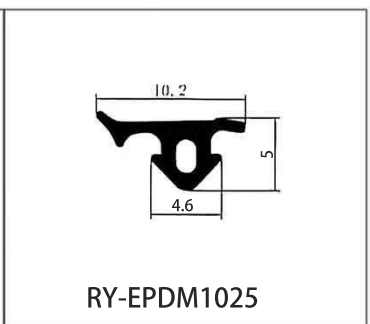
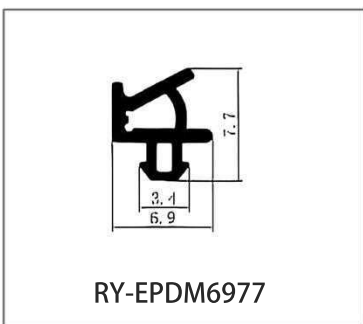
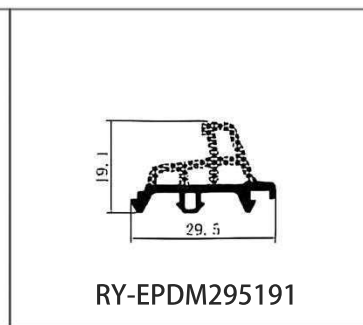
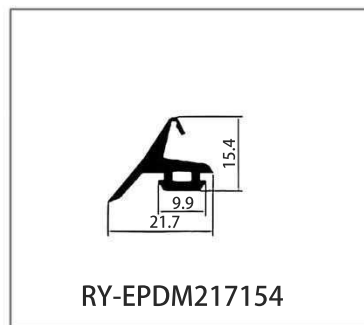
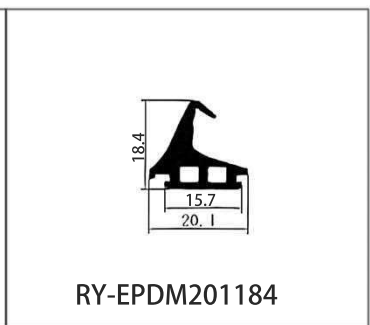
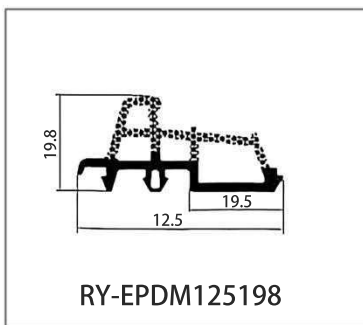
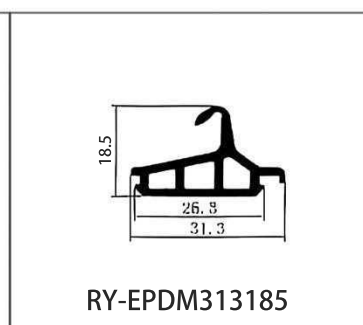
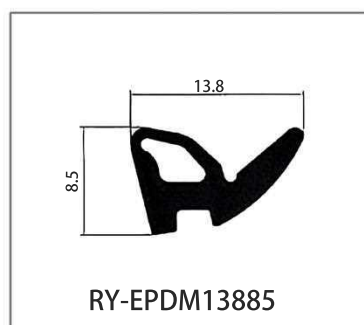
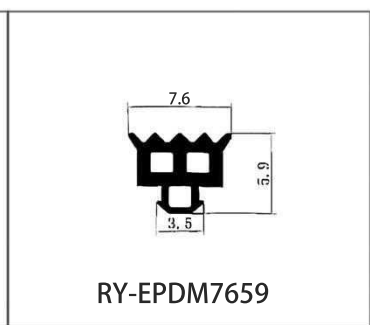
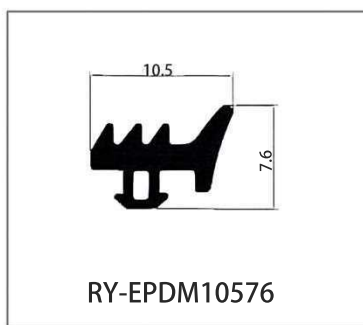
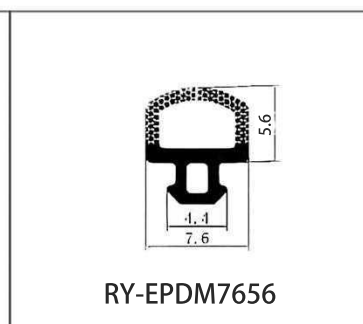
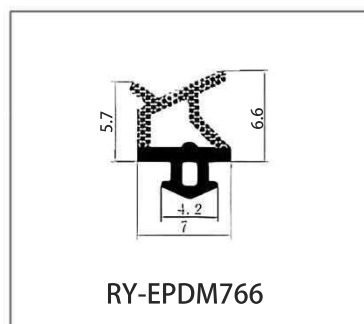
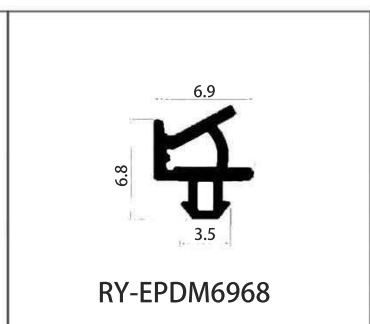
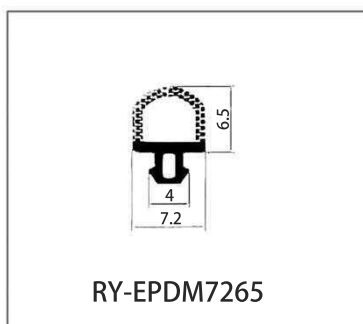
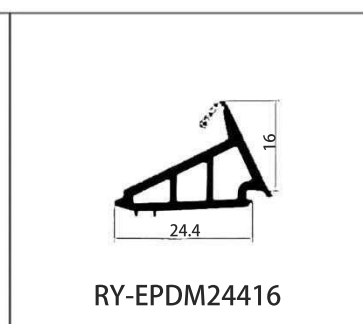
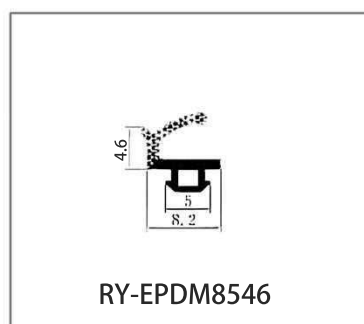
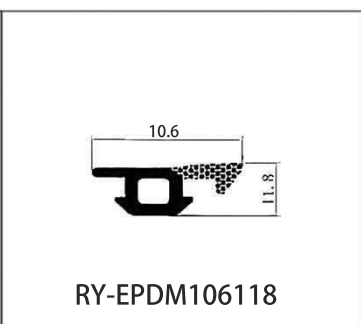
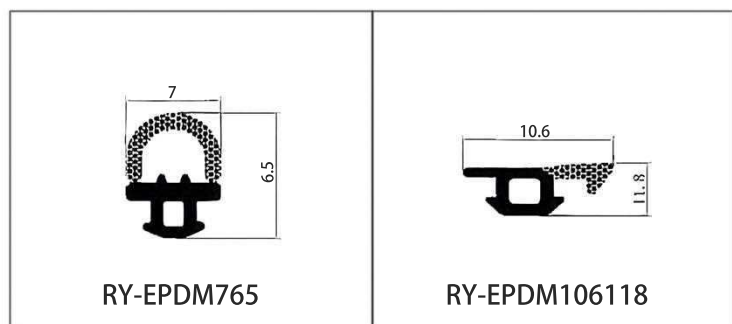


Multiple production processes provide optimal design solutions

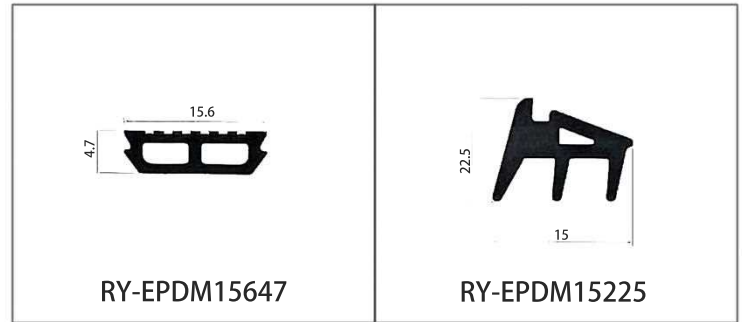
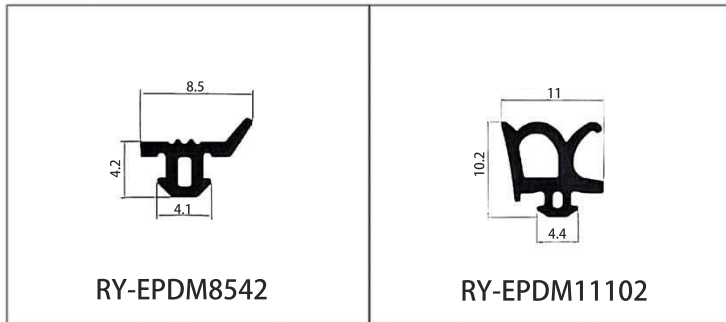


Seamless corner joining process for better sealing effect

RY-EPDM SERIES WEATHER SEALING STRIP FOR BRIDGE ALUMINIUM



RY-EPDM SERIES WEATHER SEALING STRIP FOR BRIDGE ALUMINIUM



RY-EPDM SERIES WEATHER SEALING STRIP FOR ALUMINUM-CLAD WOOD DOOR AND WINDOW

RY-EPDM series aluminum alloy coated wooden door and window waterproof seal strip can realize seamless corner joining process and better sealing effect. The combination of dense and foam technology, reasonable design will maximize the effect of heat preservation and sound insulation. Excellent aging-resistant materials, adaptable to a variety of working environments. A variety of production processes, can provide the best design program in a timely manner.

Working temperature in -40°C - 150°C
Service life can reach more than 25 years
Thermal and acoustic insulation to the extreme
Clip line production to prevent transition stretching
Seamless corner joining process for better sealing effect
Resistant to aging and adaptable to a variety of working environments

Colors can produce colored raw materials, avoiding a single black product

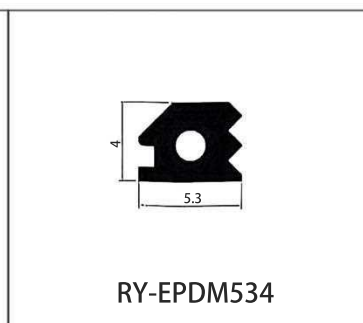
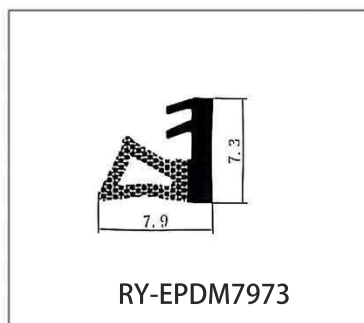
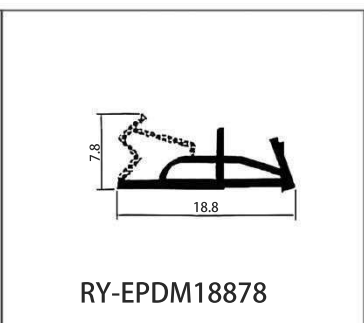
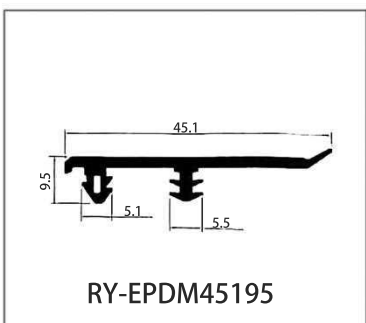
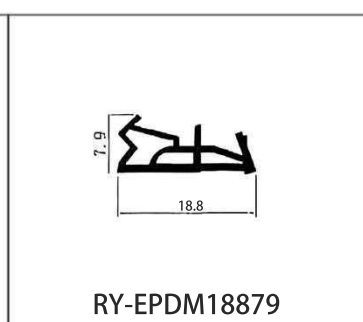
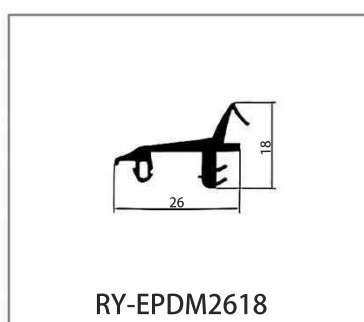
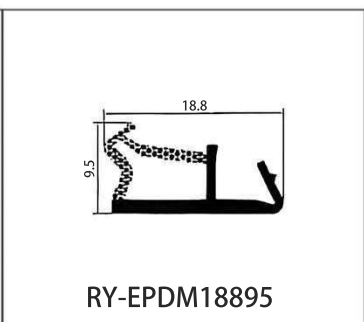
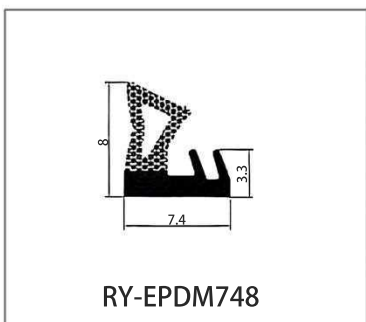
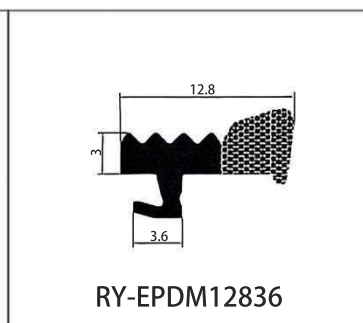
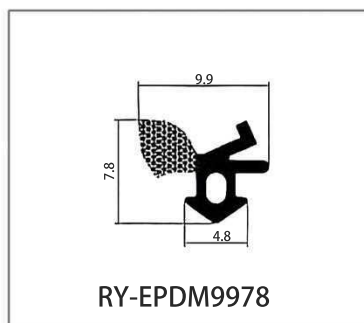
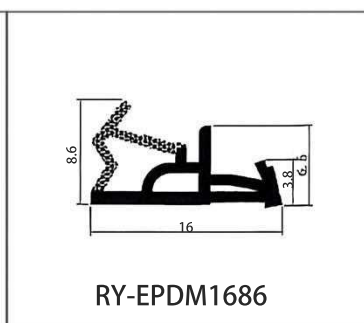
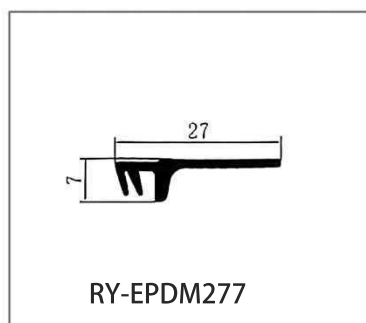
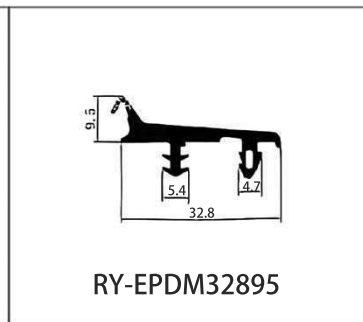
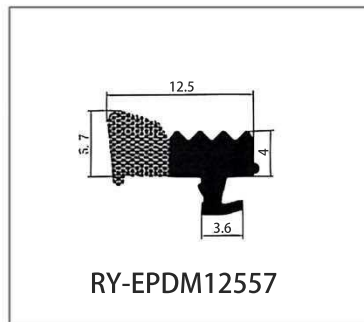
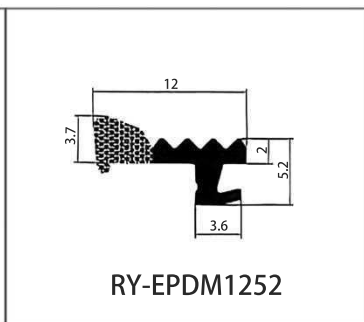
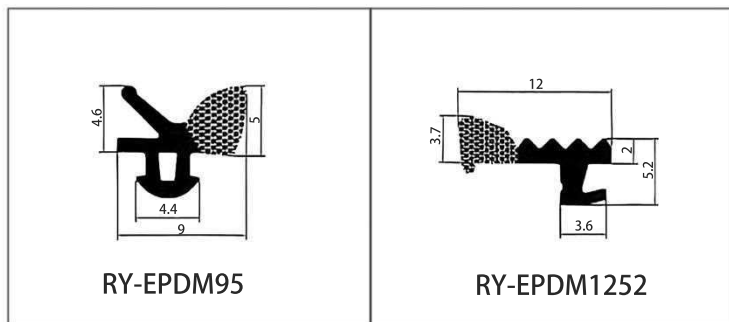


Excellent workmanship, thermal and acoustic insulation to the extreme



Seamless corner joining process for better sealing effect

**RY-EPDM SERIES
WEATHER SEALING STRIP FOR ALUMINUM-CLAD WOOD DOOR AND WINDOW**

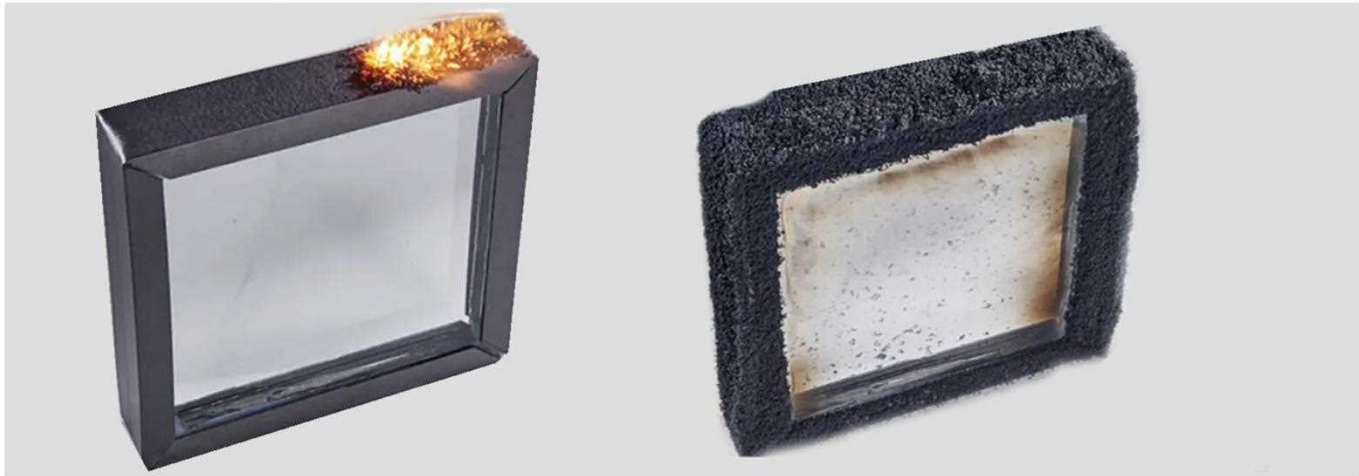


**RPB-FGC SERIES
FIREPROOF INTUMESCENT SURROUNDING COVER FOR FIREPROOF GLASS**

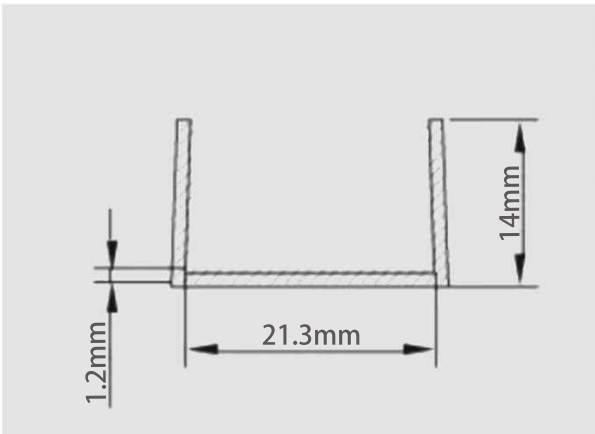
RPB-FGC series fireproof intumescent surrounding cover for fireproof glass is designed as the surrounding cover of fireproof glass. The accurate customized dimension provides tight sealing and easy installation.

Expansion ratio: 7-30times
Unaffected by water and robust
Easy installation no need special tools

Regular color is black
Color customization is available



In the event of a fire, RPB-FGC will expand and fill the gaps between glass and profile to prevent the spread of fire smoke and heat.



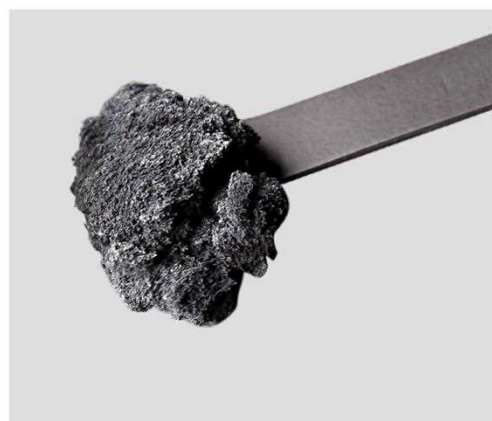
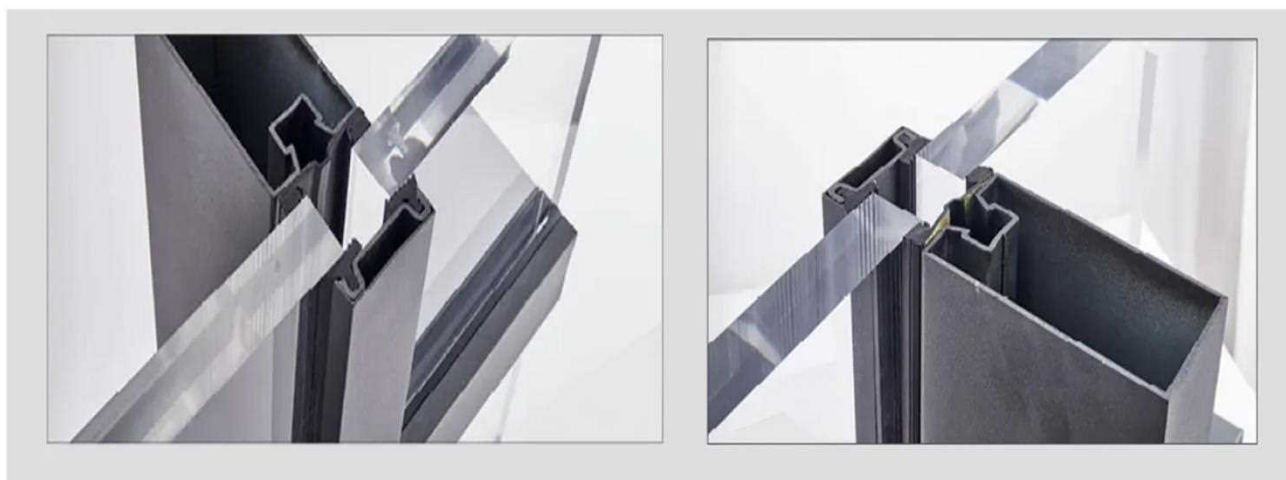
Product are available to be customized as per glass dimension.

RPB-YXCW SERIES FIREPROOF INTUMESCENT SEAL FOR CURTAIN WALL

RPB-YXCW series fireproof intumescent seal for curtain wall is a high-performance composite material with good toughness and resilience compared with ordinary PVC. When encountering fire or high temperature, it expands rapidly and collects into carbon, forming an effective fire and smoke barrier. Mainly used in the curtain wall on both sides of the glass, play a shock absorption, fire sealing, heat insulation and prevent the spread of flame effect.

Expansion ratio: 7-20times
Unaffected by water and robust

Regular color is black ■
Color customization is available ■ ■ ■ ■

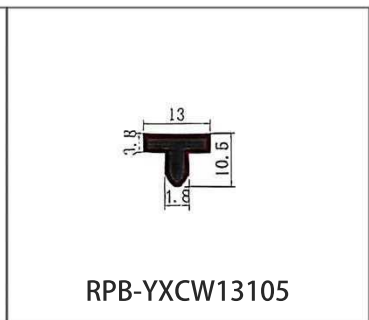
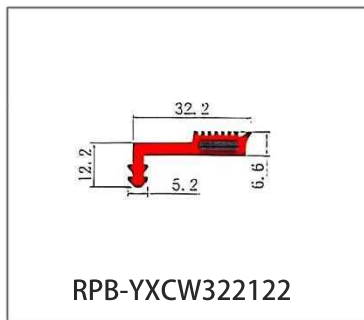
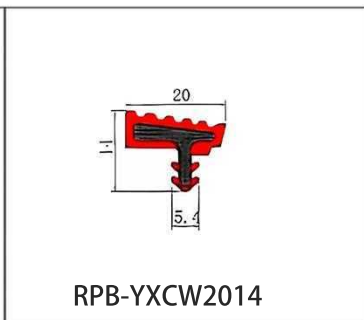
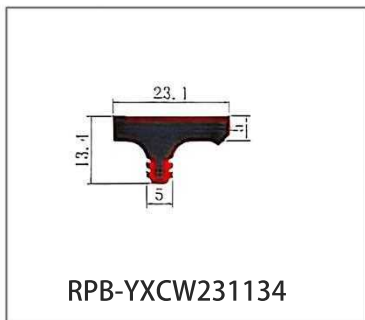
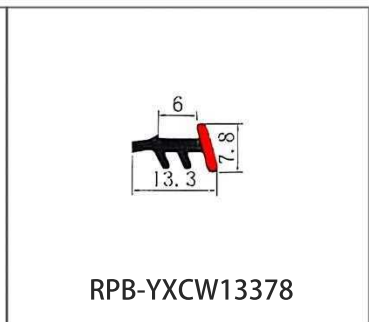
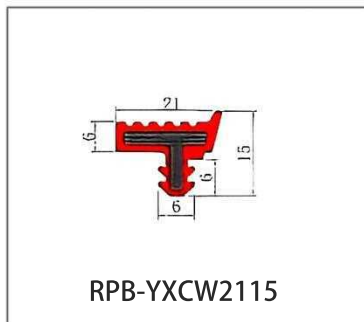
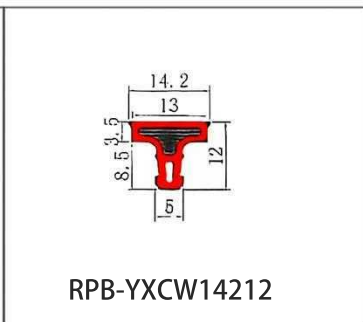
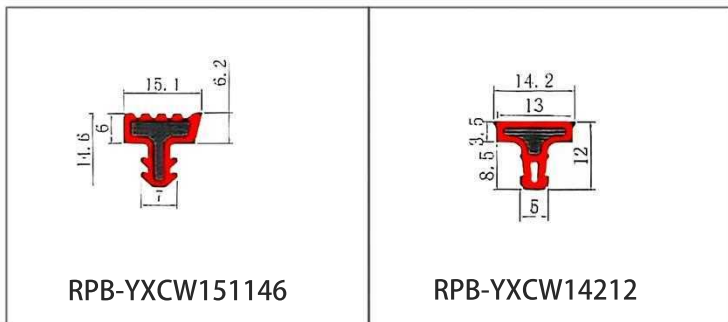
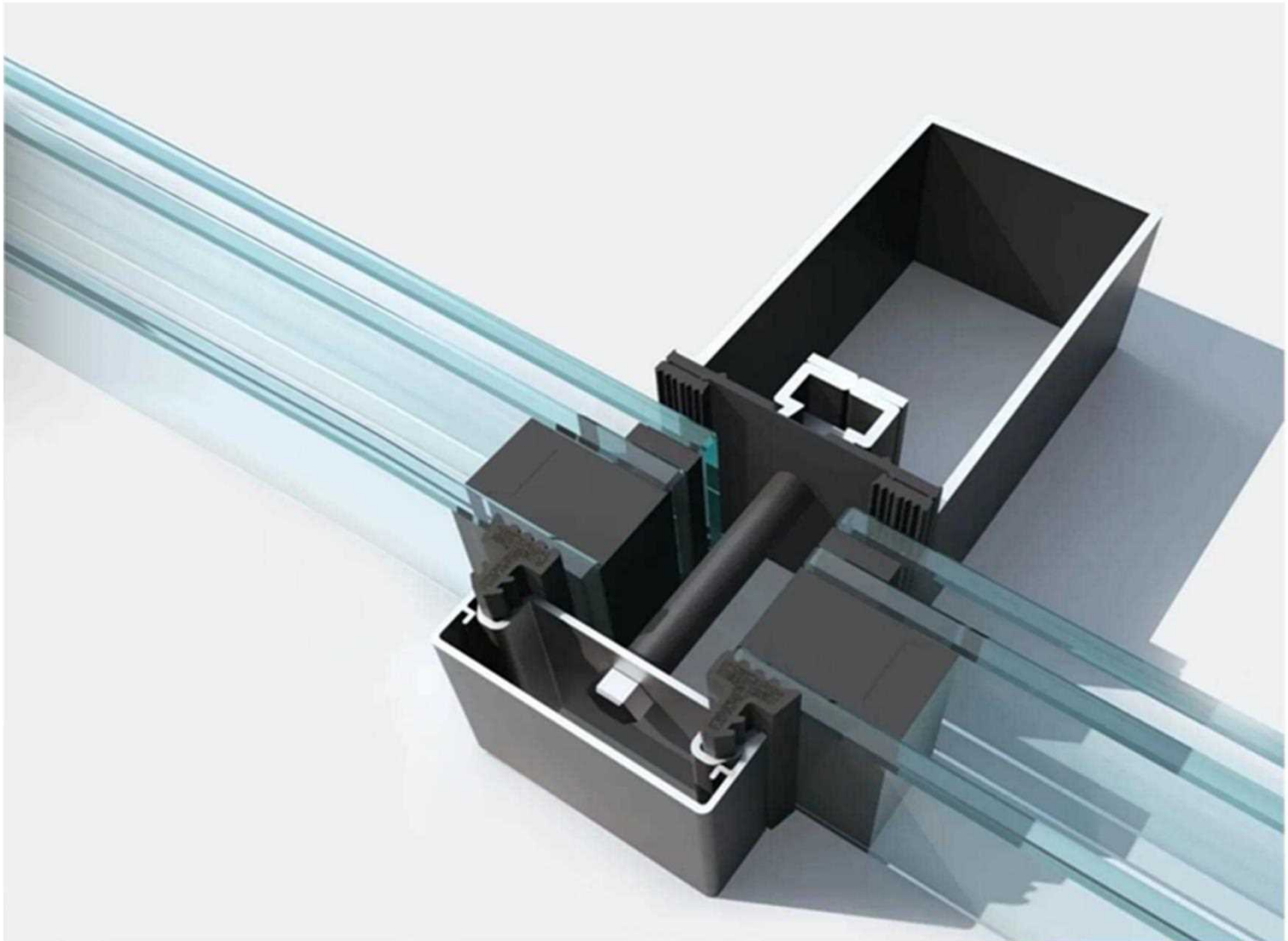


When meet fire or exposed to high temperature, product will expand to seal the gap between glass and curtain wall profile to and prevent the flame and heat spreading.



Product are available to be customized as per curtain wall design.

**RPB-YXCW SERIES
FIREPROOF INTUMESCENT SEAL FOR CURTAIN WALL**



RFCW-EPDM SERIES FLAME RETARDANT SEAL FOR CURTAIN WALL



<p>RFCW-EPDM131112</p>	<p>RFCW-EPDM50162</p>
------------------------	-----------------------

<p>RFCW-EPDM60275</p>	<p>RFCW-EPDM28316</p>
-----------------------	-----------------------

<p>RFCW-EPDM70275</p>	<p>RFCW-EPDM28393</p>
-----------------------	-----------------------

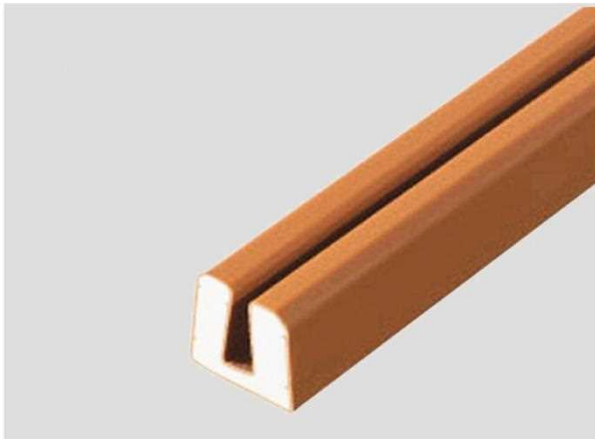
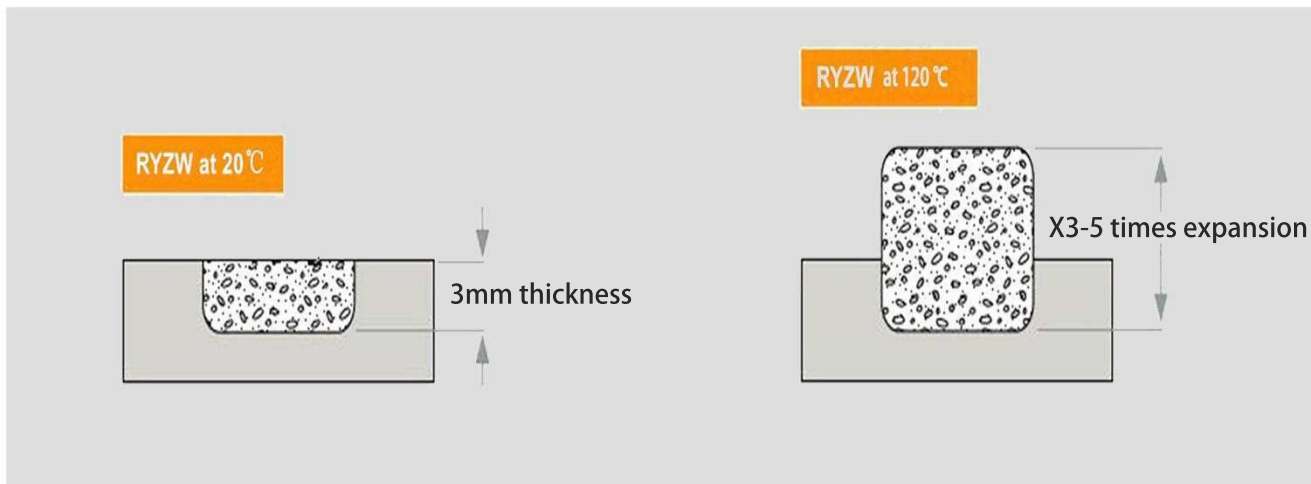
<p>RFCW-EPDM15666</p>	<p>RFCW-EPDM6066</p>
-----------------------	----------------------

RYZW-U SERIES SPECIAL SHAPE FIREPROOF INTUMESCENT SEAL FOR FIREPROOF WINDOWS

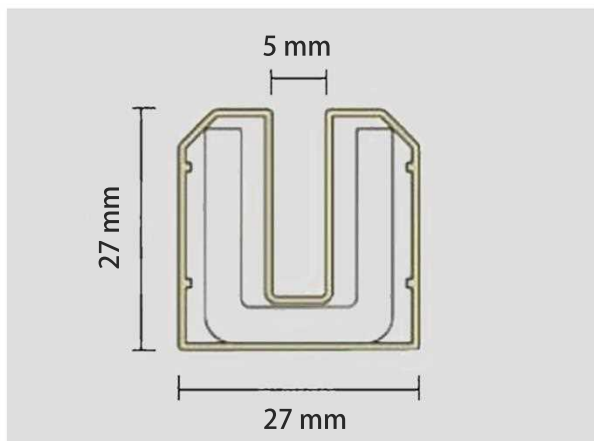
RYZW-U series rigid fireproof intumescent seal is a kind of U shape profile with sodium silicate intumescent core inside and hard PVC casing outside.

Expansion ratio: 3-5times
Dimension: 27*27mm

Regular color is brown ■



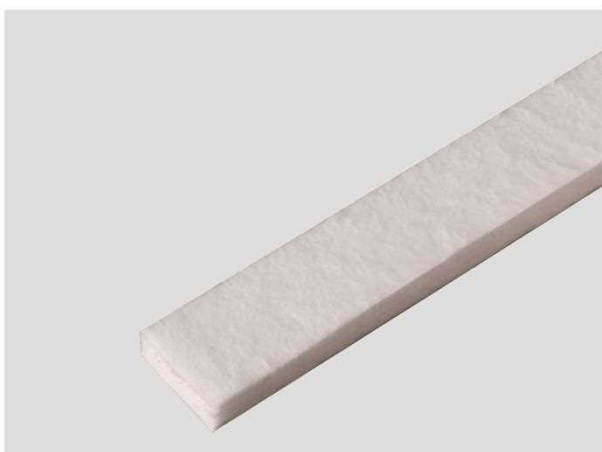
The special U shape is for easy installation of fireproof glass.



When exposed to heat, product will expand 3-5 times from thickness direction to seal the space between fireproof glass and frame and help to prevent the fire heat and smoke spreading.

RHC SERIES CERAMIC SEALING TAPE FOR FIRE RESISTANT GLAZING SYSTEM

RHC series ceramic sealing tape is made of high temperature resistant ceramic fiber which has excellent thermal and physical stability at 1260°C. It is ideal for use as a bedding material for fire resistant glazing systems both insulating and non-insulating glass in commercial buildings and fire doors.



The material is soft and supplied with a self-adhesive coating and removable backing paper for easy installation.

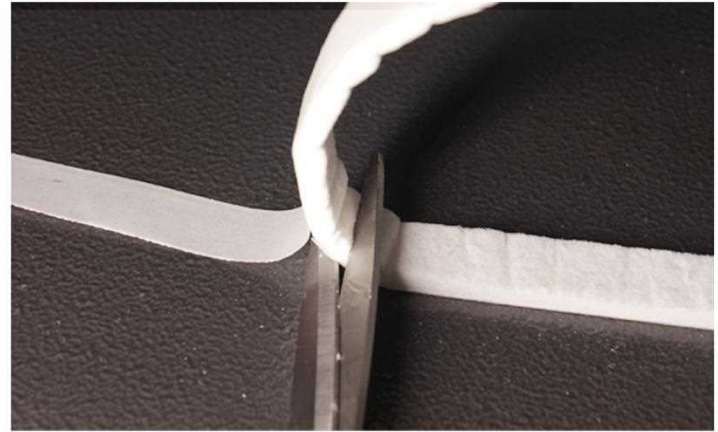
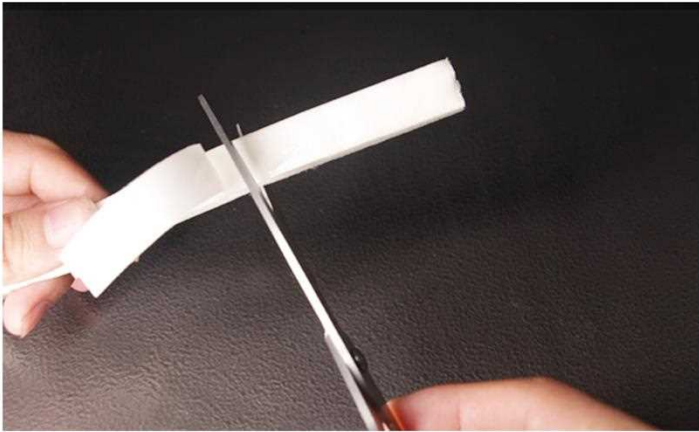


Thickness: 3mm and 5mm
Length: 10m/roll
Width: 10mm 15mm 20mm 25mm and customized

RHC SERIES CERAMIC SEALING TAPE FOR FIRE RESISTANT GLAZING SYSTEM



1. Each roll is supplied with an adhesive tape head for easy sticking, tear the tape from the head.



2. When you need to cut in the middle of the roll, cut from the lower part of the adhesive backing.

This will leave the adhesive head for next time use.

RHC SERIES CERAMIC SEALING TAPE FOR FIRE RESISTANT GLAZING SYSTEM



3. If you cut the tape wrongly without leaving the tip, you can use a lighter to ignite the adhesive backing.



4. When the flame is extinguished, the adhesive backing will be separated from the protective layer. It helps to peel off the adhesive backing without affecting the product itself.

Contact Us



Contact Us

We appreciate your interest in our products. For inquiries and further information please reach out to us through the following channels

☎ Tel./WhatsApp: 0086-18845111091

🌐 Email: sales@ressatech.com

✉ Website: www.ressaseal.com

Follow us on social media for the latest product updates!

Facebook: <https://www.facebook.com/ressaseal>

Youtube: <https://www.youtube.com/@Ressaintumescentseal>

LinkedIn: <https://www.linkedin.com/company/ressaintumescentseal>

Instagram: <https://www.instagram.com/ressaseal/>

Twitter: <https://x.com/ressaseal>

pinterest: <https://www.pinterest.com/ressaintumescentseal/>

Tiktok: <https://www.tiktok.com/@intumescentsealressa>

We look forward to assisting you!