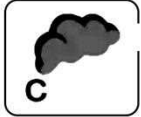


# Automatic Drop-Down Seals For Door Bottom And Upside Sealing

The door bottom and upside sealing solution includes surface mounted automatic drop-down seals, concealed drop-down seals, fireproof intumescent drop-down seals, door threshold, door sweep and door shoes.



Smokeproof



Soundproofing class 5



**RMD SERIES  
AUTOMATIC DROP DOWN SEAL**

Ressaseal RMD Series automatic drop-down door seals are designed for the gap between the door bottom and floor, offering excellent sealing performance. The automatic bottom door seal controls the movement of the internal sealing strip through mechanical motion effects.

When the door is opened, the internal seals will automatically rise from the ground. When the door is closed, the internal sealing strip will be down automatically to performance the tight sealing. Some models of this type seal can be fully hidden in the door bottom groove, the door beautiful surface will not be affected by installation of the seal.

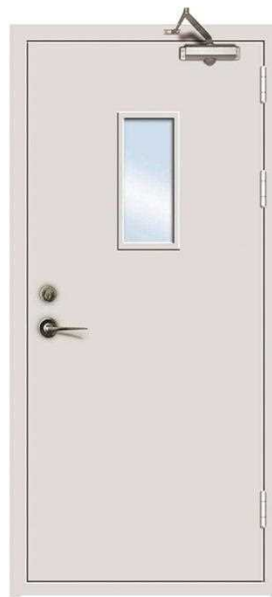
**WHERE DO YOU  
NEED IT**



PURIFY ROOM



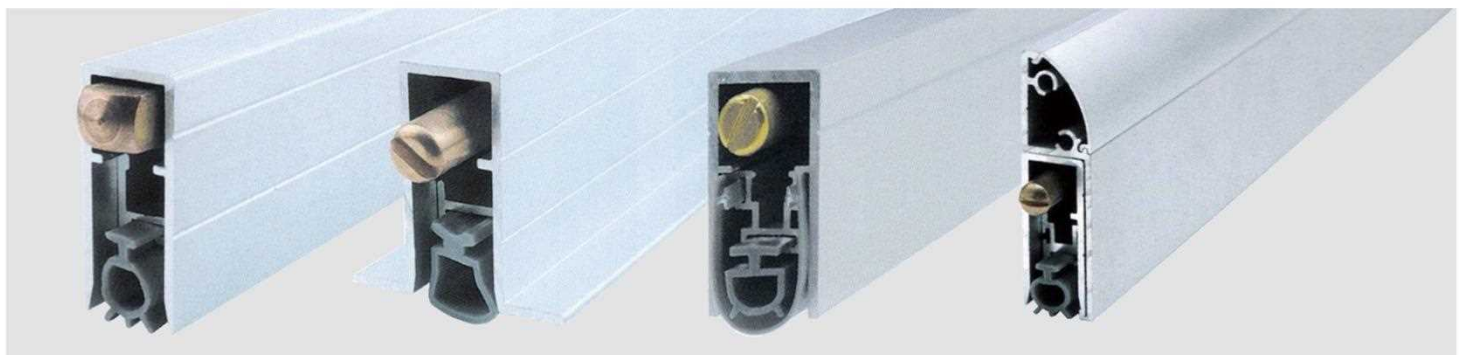
HOME DOOR



INDUSTRY DOOR



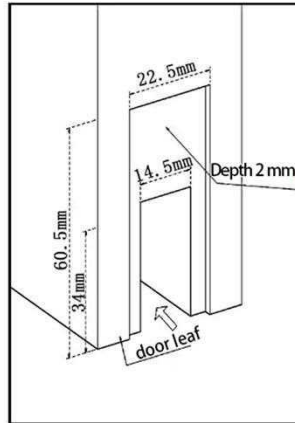
HOTEL ROOM



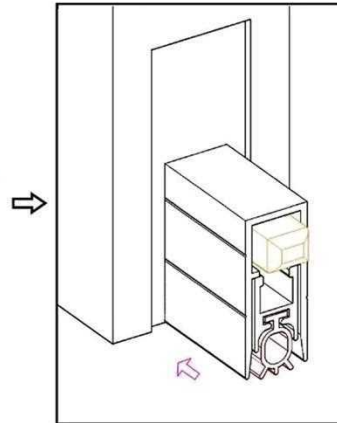
RMD SERIES  
AUTOMATIC DROP DOWN SEAL SYSTEM (CONCEALED INSTALLATION)



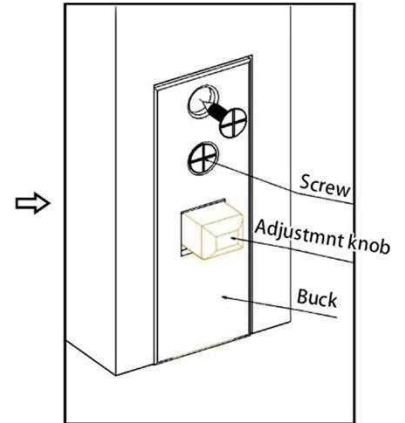
1. Product section diagram



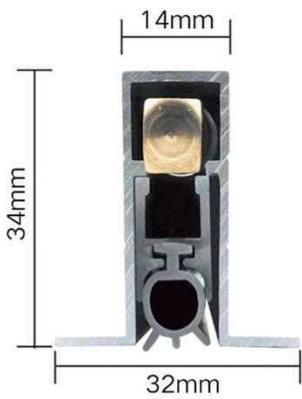
2. Slotting (both ends of the door should be opened)



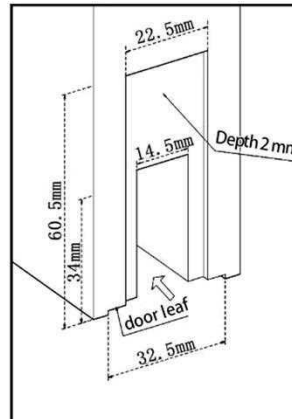
3. Install the sealing system into the groove



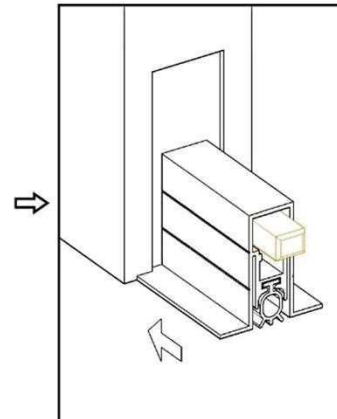
4. Tighten the screw by connecting the product with the fastener. Adjust the adjusting knob to the proper working condition



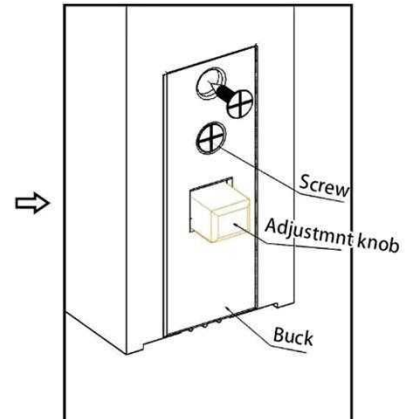
1. Product section diagram



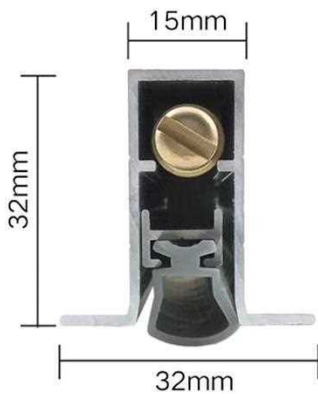
2. Slotting (both ends of the door should be opened)



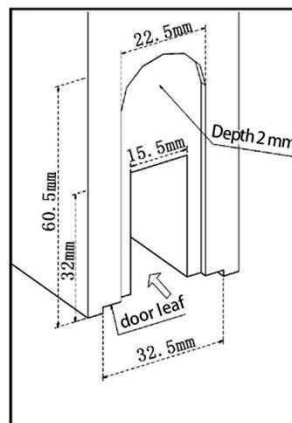
3. Install the sealing system into the groove



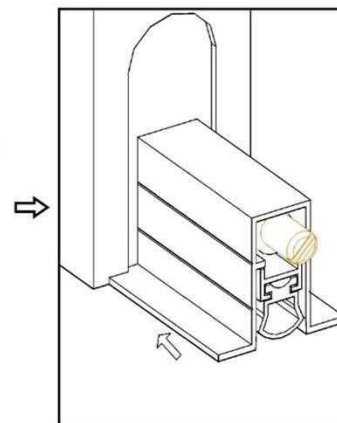
4. Tighten the screw by connecting the product with the fastener. Adjust the adjusting knob to the proper working condition



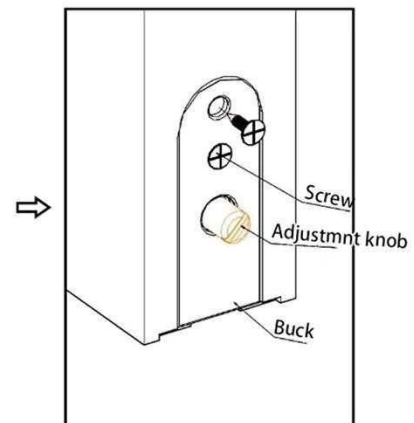
1. Product section diagram



2. Slotting (both ends of the door should be opened)

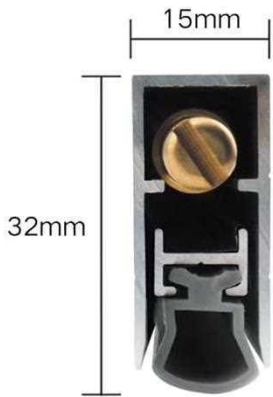


3. Install the sealing system into the groove

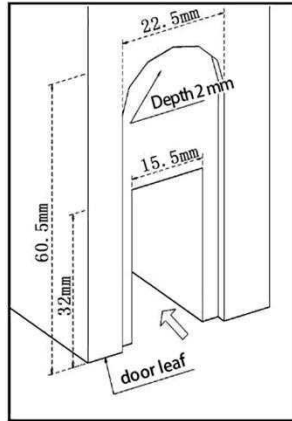


4. Tighten the screw by connecting the product with the fastener. Adjust the adjusting knob to the proper working condition

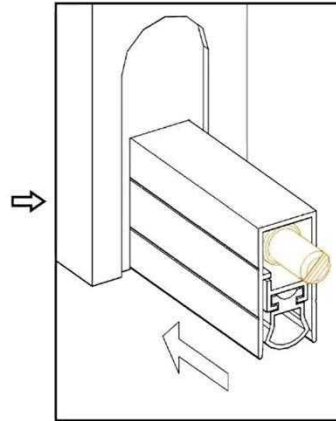
**RMD SERIES  
AUTOMATIC DROP DOWN SEAL SYSTEM (CONCEALED INSTALLATION)**



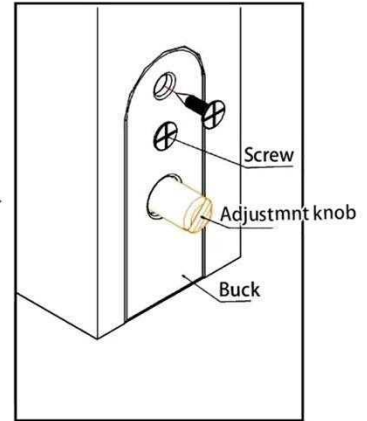
1. Product section diagram



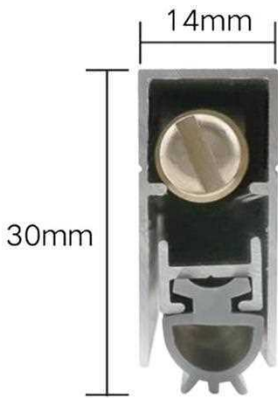
2. Slotting (both ends of the door should be opened)



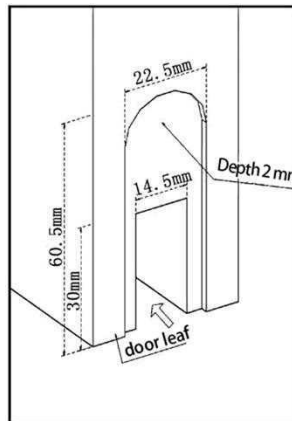
3. Install the sealing system into the groove



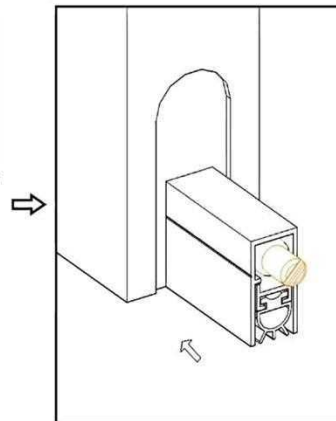
4. Tighten the screw by connecting the product with the fastener. Adjust the adjusting knob to the proper working condition



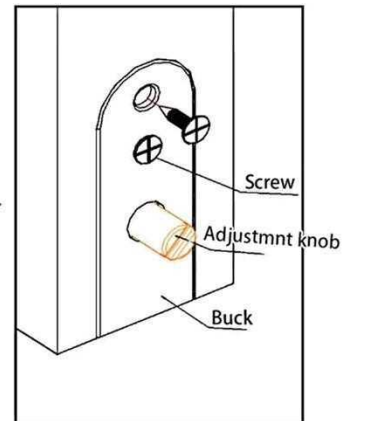
1. Product section diagram



2. Slotting (both ends of the door should be opened)




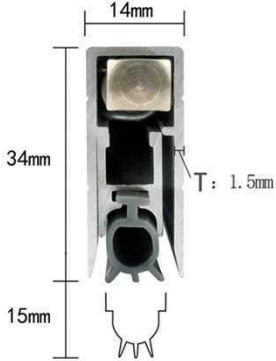
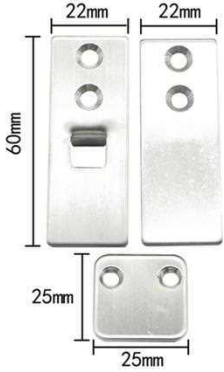
3. Install the sealing system into the groove


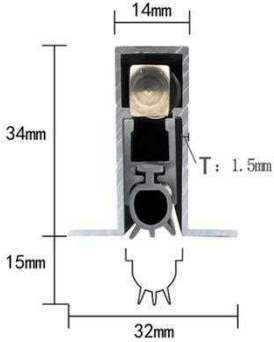
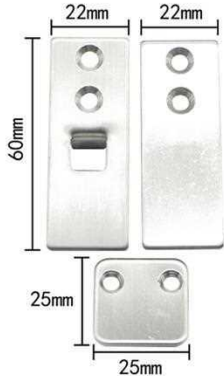



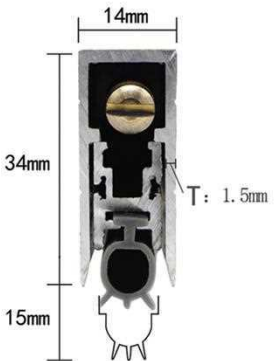
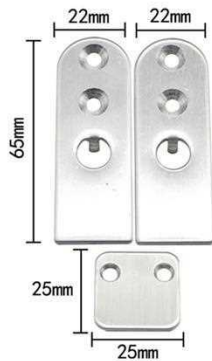
4. Tighten the screw by connecting the product with the fastener. Adjust the adjusting knob to the proper working condition




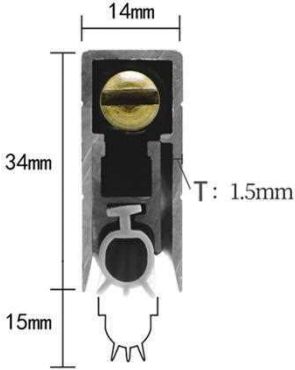
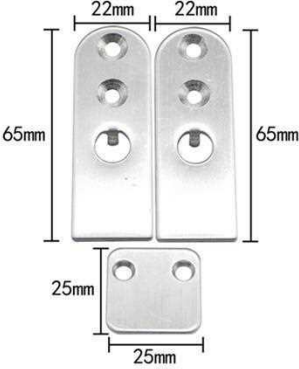
**RMD SERIES  
AUTOMATIC DROP DOWN SEAL**


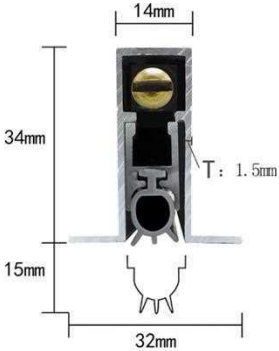
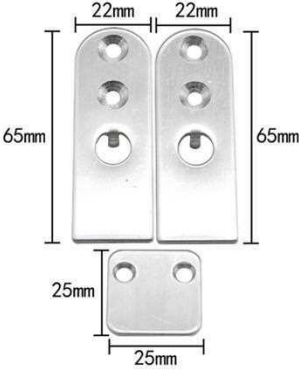
 <p><b>RMD-LY0</b></p>			<ol style="list-style-type: none"> <li>6063 aluminum housing with 304 stainless steel fasteners and screws.</li> <li>Silicone rubber seal as standard.</li> <li>Square brass heads are standard.</li> <li>Lengths: customized from 300 mm to 1500 mm.</li> <li>Normal lengths: 800 mm, 915 mm and 1000 mm. 800 mm can be cut to 700 mm, 915 mm can be cut to 800 mm, 1000 mm can be cut to 900 mm.</li> </ol>
---	---	--	---


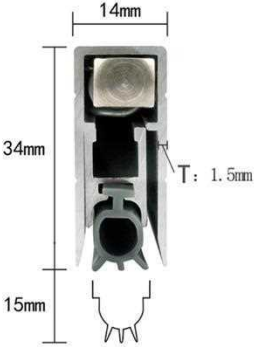
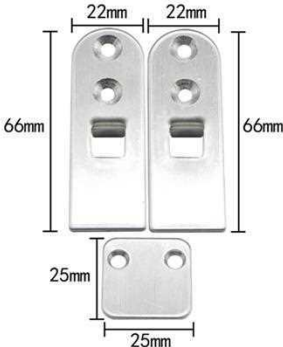
 <p><b>RMD-LY1</b></p>			<ol style="list-style-type: none"> <li>6063 aluminum housing with 304 stainless steel fasteners and screws.</li> <li>Silicone rubber seal as standard.</li> <li>Square brass heads are standard.</li> <li>Lengths: customized from 300 mm to 1500 mm.</li> <li>Normal lengths: 800 mm, 915 mm and 1000 mm. 800 mm can be cut to 700 mm, 915 mm can be cut to 800 mm, 1000 mm can be cut to 900 mm.</li> </ol>
---	---	--	---

 <p><b>RMD-LE0</b></p>			<ol style="list-style-type: none"> <li>6063 aluminum housing with 304 stainless steel fasteners and screws.</li> <li>Silicone rubber seal as standard.</li> <li>Round brass heads are standard.</li> <li>Lengths: customized from 300 mm to 1500 mm.</li> <li>Normal lengths: 800 mm, 915 mm and 1000 mm. 800 mm can be cut to 700 mm, 915 mm can be cut to 800 mm, 1000 mm can be cut to 900 mm.</li> </ol>
---	---	--	--


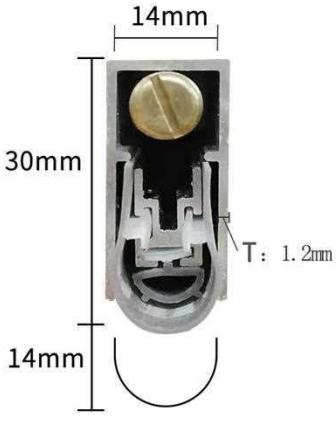
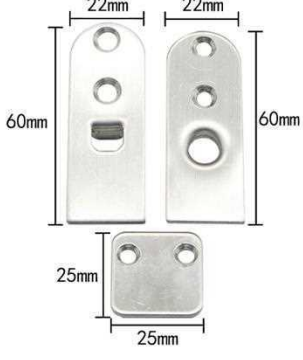
**RMD SERIES  
AUTOMATIC DROP DOWN SEAL**


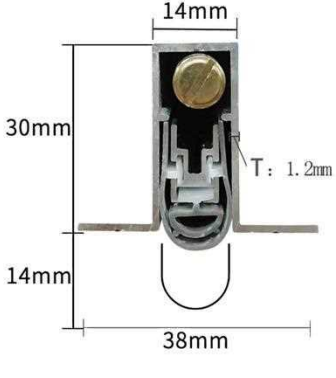

 <p><b>RMD-LE1</b></p>	 <p>14mm 34mm 15mm T: 1.5mm</p>	 <p>22mm 22mm 65mm 65mm 25mm 25mm</p>	<ol style="list-style-type: none"> <li>1. 6063 aluminum housing with 304 stainless steel fasteners and screws.</li> <li>2. Silicone rubber seal as standard.</li> <li>3. Round brass heads are standard.</li> <li>4. Lengths: customized from 300 mm to 1500 mm.</li> <li>5. Normal lengths 800 mm, 915 mm and 1000 mm 800 mm can be cut to 700 mm 915 mm can be cut to 800 mm 1000 mm can be cut to 900 mm.</li> </ol>
---	--	---	---

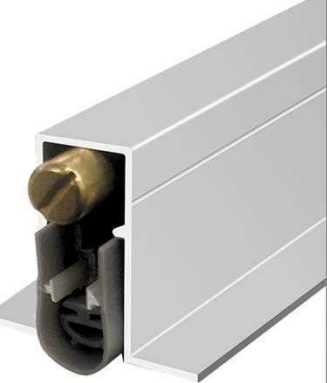
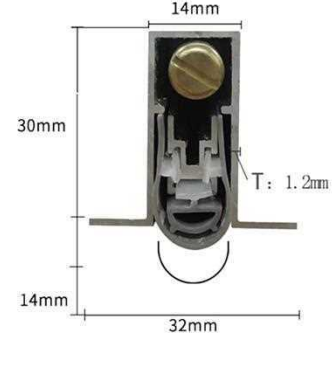

 <p><b>RMD-LE2</b></p>	 <p>14mm 34mm 15mm 32mm T: 1.5mm</p>	 <p>22mm 22mm 65mm 65mm 25mm 25mm</p>	<ol style="list-style-type: none"> <li>1. 6063 aluminum housing with 304 stainless steel fasteners and screws.</li> <li>2. Silicone rubber seal as standard.</li> <li>3. Round brass heads are standard.</li> <li>4. Lengths: customized from 300 mm to 1500 mm.</li> <li>5. Normal lengths 800 mm, 915 mm and 1000 mm 800 mm can be cut to 700 mm 915 mm can be cut to 800 mm 1000 mm can be cut to 900 mm.</li> </ol>
---	---	---	---

 <p><b>RMD-LE3</b></p>	 <p>14mm 34mm 15mm T: 1.5mm</p>	 <p>22mm 22mm 66mm 66mm 25mm 25mm</p>	<ol style="list-style-type: none"> <li>1. 6063 aluminum housing with 304 stainless steel fasteners and screws.</li> <li>2. Silicone rubber seal as standard.</li> <li>3. Square brass heads are standard.</li> <li>4. Lengths: customized from 300 mm to 1500 mm.</li> <li>5. Normal lengths 800 mm, 915 mm and 1000 mm 800 mm can be cut to 700 mm 915 mm can be cut to 800 mm 1000 mm can be cut to 900 mm.</li> </ol>
---	--	---	--


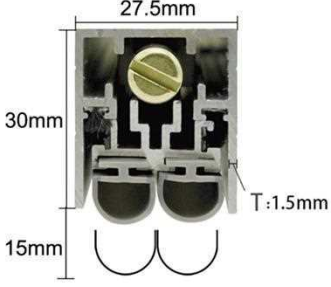
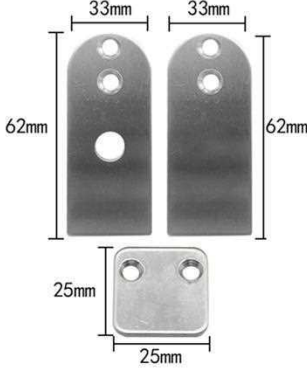
**RMD SERIES  
AUTOMATIC DROP DOWN SEAL**


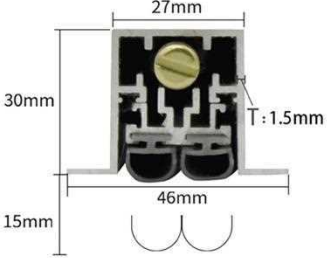
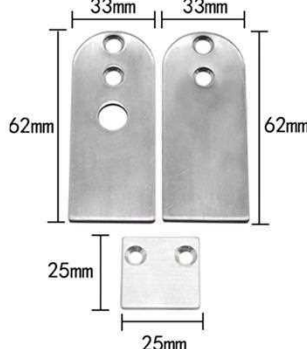
 <p><b>RMD-LW2</b></p>	 <p>14mm 30mm 14mm T: 1.2mm</p>	 <p>22mm 22mm 60mm 60mm 25mm 25mm</p>	<ol style="list-style-type: none"> <li>1. Housing is 6063 aluminum with 304 stainless steel fasteners and screws.</li> <li>2. TPE seals are used.</li> <li>3. Round brass heads are standard.</li> <li>4. Lengths: Custom lengths from 300 mm to 1500 mm are available.</li> <li>5. Normal lengths 800 mm, 915 mm and 1000 mm 800 mm can be cut to 700 mm 915 mm can be cut to 800 mm 1000 mm can be cut to 900 mm.</li> </ol>
--	--	---	--


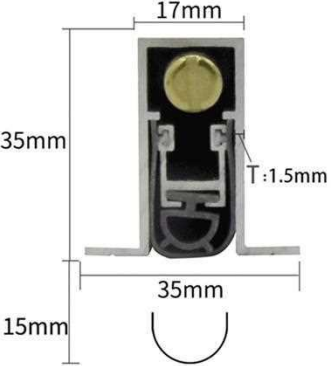
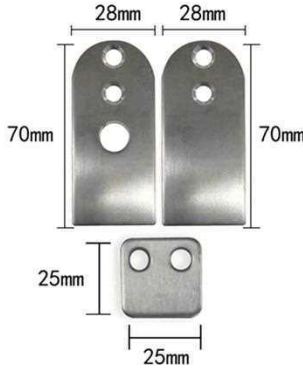
 <p><b>RMD-LW3</b></p>	 <p>14mm 30mm 14mm 38mm T: 1.2mm</p>	 <p>22mm 22mm 60mm 60mm 25mm 25mm</p>	<ol style="list-style-type: none"> <li>1. Housing is 6063 aluminum with 304 stainless steel fasteners and screws.</li> <li>2. TPE seals are used.</li> <li>3. Round brass heads are standard.</li> <li>4. Lengths: Custom lengths from 300 mm to 1500 mm are available.</li> <li>5. Normal lengths 800 mm, 915 mm and 1000 mm 800 mm can be cut to 700 mm 915 mm can be cut to 800 mm 1000 mm can be cut to 900 mm.</li> </ol>
---	---	---	--

 <p><b>RMD-LW5</b></p>	 <p>14mm 30mm 14mm 32mm T: 1.2mm</p>	 <p>22mm 22mm 60mm 60mm 25mm 25mm</p>	<ol style="list-style-type: none"> <li>1. Housing is 6063 aluminum with 304 stainless steel fasteners and screws.</li> <li>2. TPE seals are used.</li> <li>3. Round brass heads are standard.</li> <li>4. Lengths: Custom lengths from 300 mm to 1500 mm are available.</li> <li>5. Normal lengths 800 mm, 915 mm and 1000 mm 800 mm can be cut to 700 mm 915 mm can be cut to 800 mm 1000 mm can be cut to 900 mm.</li> </ol>
--	---	---	--

**RMD SERIES  
AUTOMATIC DROP DOWN SEAL**


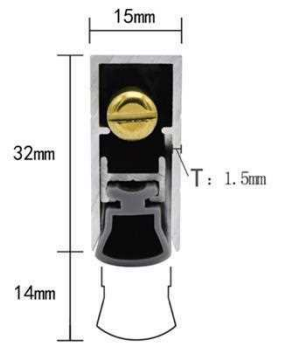
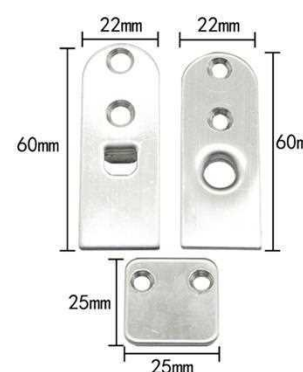
 <p><b>RMD-LS0</b></p>			<ol style="list-style-type: none"> <li>1. Housing is 6063 aluminum with 304 stainless steel fasteners and screws.</li> <li>2. TPE seals are used.</li> <li>3. Round brass heads are standard.</li> <li>4. Lengths: Custom lengths from 300mm to 1500 mm are available.</li> <li>5. Normal lengths 800 mm, 915 mm and 1000 mm 800 mm can be cut to 700 mm 915 mm can be cut to 800 mm 1000 mm can be cut to 900 mm.</li> </ol>
---	---	--	---


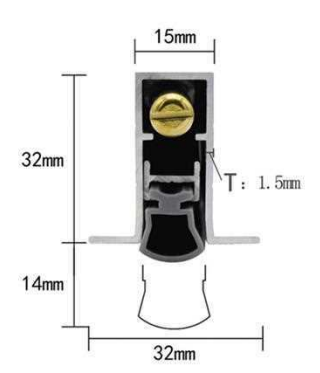
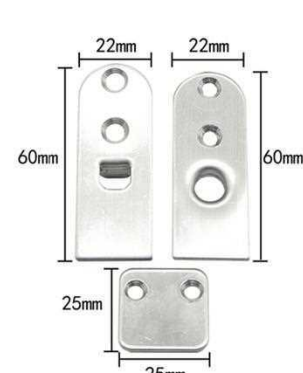
 <p><b>RMD-LL9</b></p>			<ol style="list-style-type: none"> <li>1. Housing is 6063 aluminum with 304 stainless steel fasteners and screws.</li> <li>2. TPE seals are used.</li> <li>3. Round brass heads are standard.</li> <li>4. Lengths: Custom lengths from 300mm to 1500 mm are available.</li> <li>5. Normal lengths 800 mm, 915 mm and 1000 mm 800 mm can be cut to 700 mm 915 mm can be cut to 800 mm 1000 mm can be cut to 900 mm.</li> </ol>
--	---	--	---


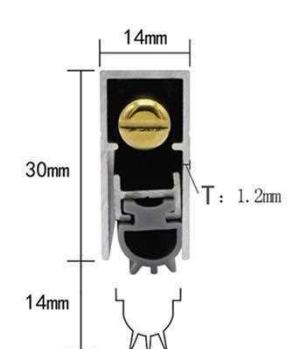
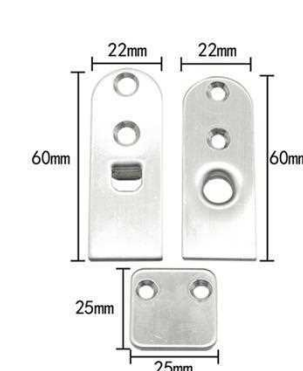
 <p><b>RMD-LL7</b></p>			<ol style="list-style-type: none"> <li>1. Housing is 6063 aluminum with 304 stainless steel fasteners and screws.</li> <li>2. TPE seals are used.</li> <li>3. Round brass heads are standard.</li> <li>4. Lengths: Custom lengths from 300mm to 1500 mm are available.</li> <li>5. Normal lengths 800 mm, 915 mm and 1000 mm 800 mm can be cut to 700 mm 915 mm can be cut to 800 mm 1000 mm can be cut to 900 mm.</li> </ol>
--	---	--	---




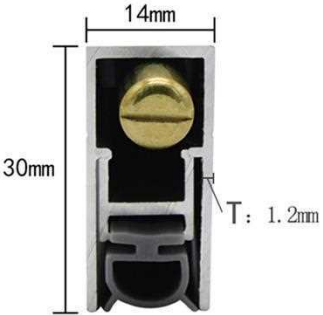
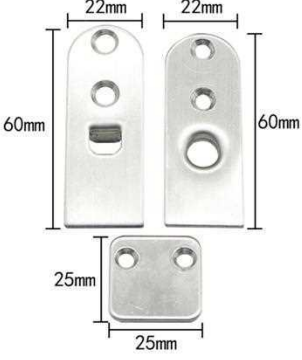
**RMD SERIES  
AUTOMATIC DROP DOWN SEAL**


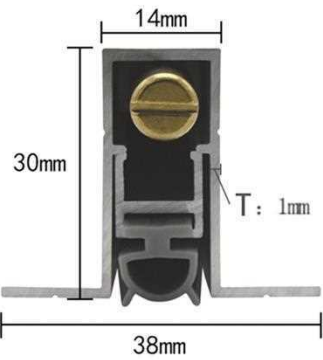
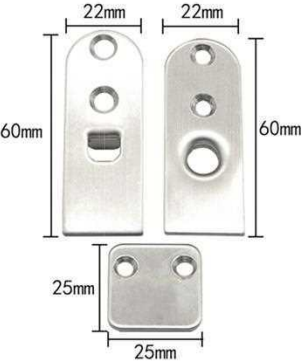
 <p><b>RMD-L01</b></p>			<ol style="list-style-type: none"> <li>1. Housing is 6063 aluminum with 304 stainless steel fasteners and screws.</li> <li>2. TPE seals are used.</li> <li>3. Standard with round copper head, optional nylon head available.</li> <li>4. Lengths: Custom lengths from 250 mm to 1500 mm are available.</li> <li>5. Normal lengths 800 mm, 915 mm and 1000 mm 800 mm can be cut to 700 mm 915 mm can be cut to 800 mm 1000 mm can be cut to 900 mm.</li> </ol>
--	---	--	--


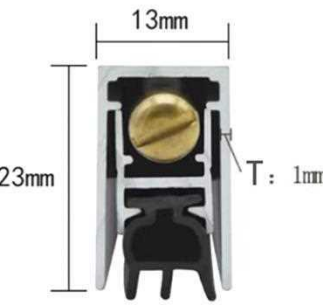
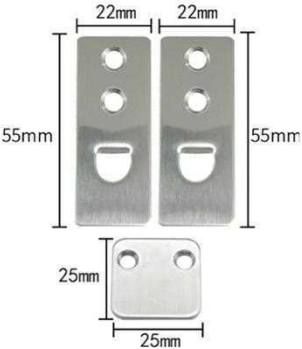
 <p><b>RMD-L02</b></p>			<ol style="list-style-type: none"> <li>1. Housing is 6063 aluminum with 304 stainless steel fasteners and screws.</li> <li>2. TPE seals are used.</li> <li>3. Standard with round copper head, optional nylon head available.</li> <li>4. Lengths: Custom lengths from 250 mm to 1500 mm are available.</li> <li>5. Normal lengths 800 mm, 915 mm and 1000 mm 800 mm can be cut to 700 mm 915 mm can be cut to 800 mm 1000 mm can be cut to 900 mm.</li> </ol>
---	--	---	--

 <p><b>RMD-LY2</b></p>			<ol style="list-style-type: none"> <li>1. Housing is 6063 aluminum with 304 stainless steel fasteners and screws.</li> <li>2. TPE seals are used.</li> <li>3. Standard with round copper head, optional nylon head available.</li> <li>4. Lengths: Custom lengths from 250 mm to 1500 mm are available.</li> <li>5. Normal lengths 800 mm, 915 mm and 1000 mm 800 mm can be cut to 700 mm 915 mm can be cut to 800 mm 1000 mm can be cut to 900 mm.</li> </ol>
--	---	--	--


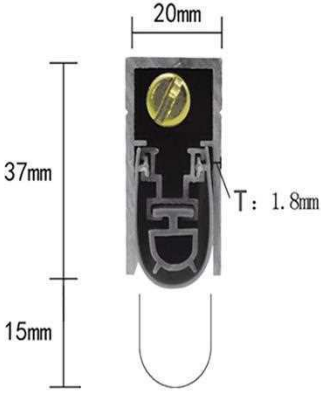
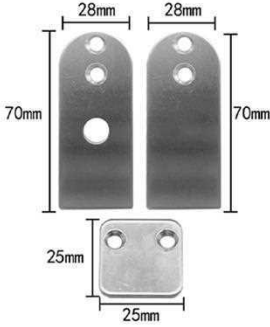
**RMD SERIES  
AUTOMATIC DROP DOWN SEAL**



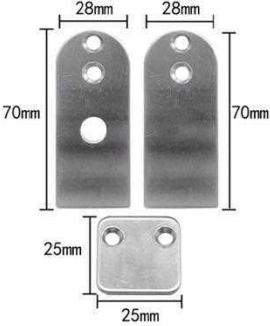
 <p><b>RMD-LY2B</b></p>			<ol style="list-style-type: none"> <li>1. Housing is 6063 aluminum with 304 stainless steel fasteners and screws.</li> <li>2. Silicone rubber seal as standard.</li> <li>3. Round brass heads are standard.</li> <li>4. Lengths: customized from 300 mm to 1500 mm.</li> <li>5. Normal lengths 800 mm, 915 mm and 1000 mm 800 mm can be cut to 700 mm 915 mm can be cut to 800 mm 1000 mm can be cut to 900 mm.</li> </ol>
--	---	--	--


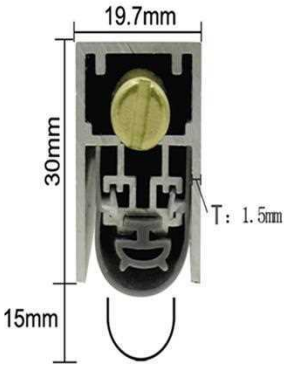
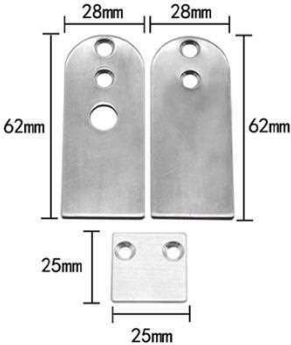
 <p><b>RMD-LS6</b></p>			<ol style="list-style-type: none"> <li>1. Housing is 6063 aluminum with 304 stainless steel fasteners and screws.</li> <li>2. Silicone rubber seal as standard.</li> <li>3. Round brass heads are standard.</li> <li>4. Lengths: customized from 300 mm to 1500 mm.</li> <li>5. Normal lengths 800 mm, 915 mm and 1000 mm 800 mm can be cut to 700 mm 915 mm can be cut to 800 mm 1000 mm can be cut to 900 mm.</li> </ol>
---	---	--	--

 <p><b>RMD-LS5</b></p>			<ol style="list-style-type: none"> <li>1. Housing is 6063 aluminum with 304 stainless steel fasteners and screws.</li> <li>2. TPE seals are used.</li> <li>3. Round brass heads are standard.</li> <li>4. Lengths: customized from 300 mm to 1500 mm.</li> <li>5. Normal lengths 800 mm, 915 mm and 1000 mm 800 mm can be cut to 700 mm 915 mm can be cut to 800 mm 1000 mm can be cut to 900 mm.</li> </ol>
---	---	--	--


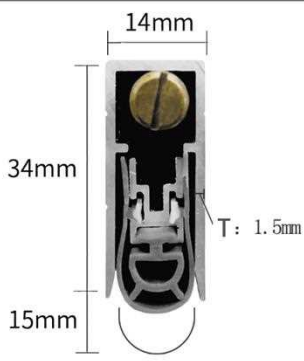
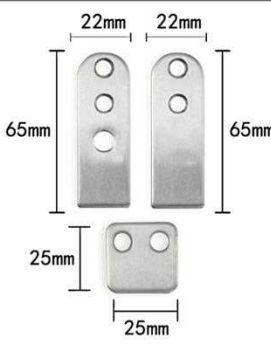
**RMD SERIES  
AUTOMATIC DROP DOWN SEAL**


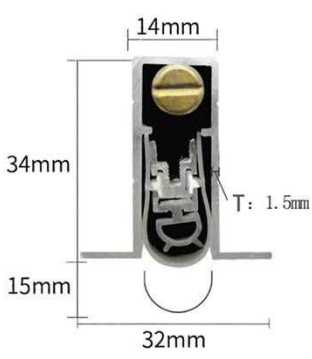

 <p><b>RMD-LS7</b></p>			<ol style="list-style-type: none"> <li>Housing is 6063 aluminum with 304 stainless steel fasteners and screws.</li> <li>TPE seals are used.</li> <li>Round brass heads are standard.</li> <li>Lengths: Custom lengths from 250 mm to 1500 mm are available.</li> <li>Normal lengths 800 mm, 915 mm and 1000 mm 800 mm can be cut to 700 mm 915 mm can be cut to 800 mm 1000 mm can be cut to 900 mm.</li> </ol>
---	---	--	---


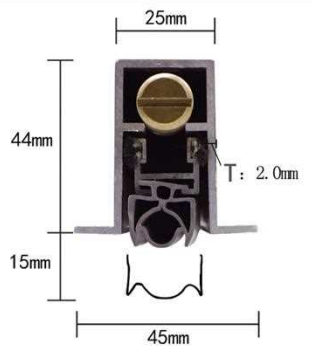
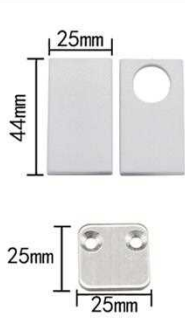
 <p><b>RMD-LS8</b></p>			<ol style="list-style-type: none"> <li>Housing is 6063 aluminum with 304 stainless steel fasteners and screws.</li> <li>TPE seals are used.</li> <li>Round brass heads are standard.</li> <li>Lengths: Custom lengths from 250 mm to 1500 mm are available.</li> <li>Normal lengths 800 mm, 915 mm and 1000 mm 800 mm can be cut to 700 mm 915 mm can be cut to 800 mm 1000 mm can be cut to 900 mm.</li> </ol>
--	--	--	---


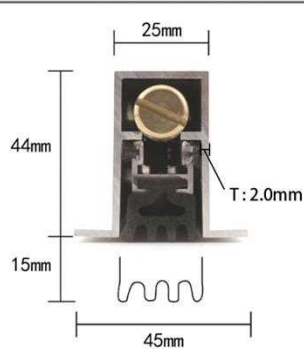
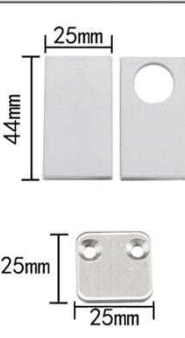
 <p><b>RMD-LS9</b></p>			<ol style="list-style-type: none"> <li>Housing is 6063 aluminum with 304 stainless steel fasteners and screws.</li> <li>TPE seals are used.</li> <li>Round brass heads are standard.</li> <li>Lengths: Custom lengths from 250 mm to 1500 mm are available.</li> <li>Normal lengths 800 mm, 915 mm and 1000 mm 800 mm can be cut to 700 mm 915 mm can be cut to 800 mm 1000 mm can be cut to 900 mm.</li> </ol>
---	---	--	---

**RMD SERIES  
AUTOMATIC DROP DOWN SEAL**


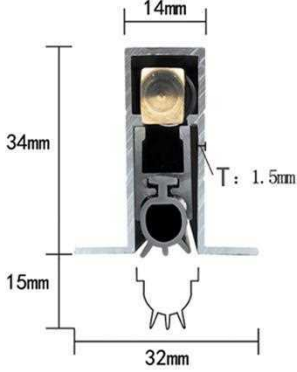

 <p><b>RMD-LW0</b></p>	 <p>14mm 34mm 15mm T: 1.5mm</p>	 <p>22mm 22mm 65mm 65mm 25mm 25mm</p>	<ol style="list-style-type: none"> <li>Housing is 6063 aluminum with 304 stainless steel fasteners and screws.</li> <li>TPE seals are used.</li> <li>Round brass heads are standard.</li> <li>Lengths: Custom lengths from 250 mm to 1500 mm are available.</li> <li>Normal lengths 800 mm, 915 mm and 1000 mm 800 mm can be cut to 700 mm 915 mm can be cut to 800 mm 1000 mm can be cut to 900 mm.</li> </ol>
---	--	---	---


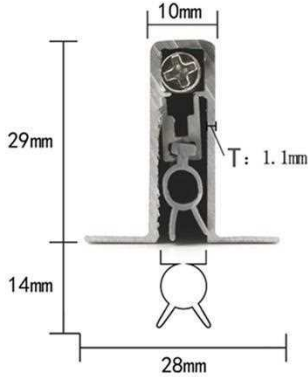
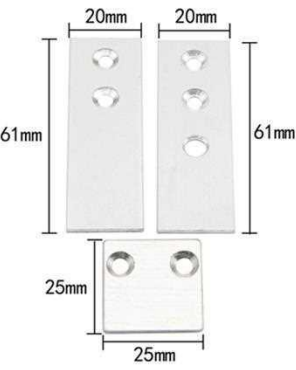
 <p><b>RMD-LW1</b></p>	 <p>14mm 34mm 15mm 32mm T: 1.5mm</p>	 <p>22mm 22mm 65mm 65mm 25mm 25mm</p>	<ol style="list-style-type: none"> <li>Housing is 6063 aluminum with 304 stainless steel fasteners and screws.</li> <li>TPE seals are used.</li> <li>Round brass heads are standard.</li> <li>Lengths: Custom lengths from 250 mm to 1500 mm are available.</li> <li>Normal lengths 800 mm, 915 mm and 1000 mm 800 mm can be cut to 700 mm 915 mm can be cut to 800 mm 1000 mm can be cut to 900 mm.</li> </ol>
---	--	--	---


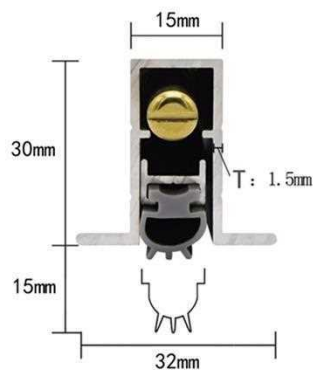
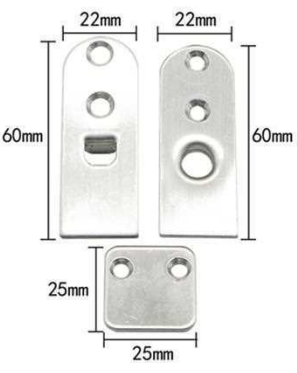
 <p><b>RMD-LY5A</b></p>	 <p>25mm 44mm 15mm 45mm T: 2.0mm</p>	 <p>25mm 44mm 25mm 25mm</p>	<ol style="list-style-type: none"> <li>6063 aluminum housing with 304 stainless steel screws and nylon cover tabs.</li> <li>Silicone rubber seals are standard black foam seals are optional.</li> <li>Round brass heads are standard.</li> <li>Lengths: Custom lengths from 650 mm to 1500 mm are available.</li> <li>Normal lengths 800 mm, 915 mm and 1000 mm 800 mm can be cut to 700 mm 915 mm can be cut to 800 mm 1000 mm can be cut to 900 mm.</li> </ol>
---	---	---	---

 <p><b>RMD-LY5B</b></p>	 <p>25mm 44mm 15mm 45mm T: 2.0mm</p>	 <p>25mm 44mm 25mm 25mm</p>	<ol style="list-style-type: none"> <li>6063 aluminum housing with 304 stainless steel screws and nylon cover tabs.</li> <li>Silicone rubber seals are standard, black foam seals are optional.</li> <li>Round brass heads are standard.</li> <li>Lengths: Custom lengths from 650 mm to 1500 mm are available.</li> <li>Normal lengths 800 mm, 915 mm and 1000 mm 800 mm can be cut to 700 mm 915 mm can be cut to 800 mm 1000 mm can be cut to 900 mm.</li> </ol>
--	---	---	--


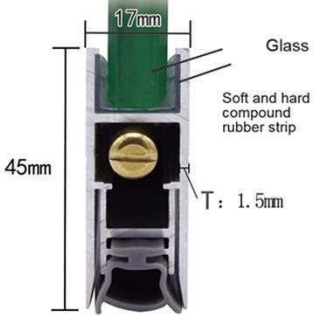

**RMD SERIES  
AUTOMATIC DROP DOWN SEAL**


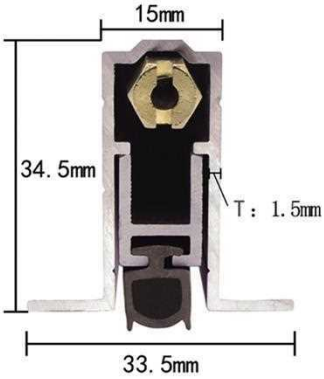
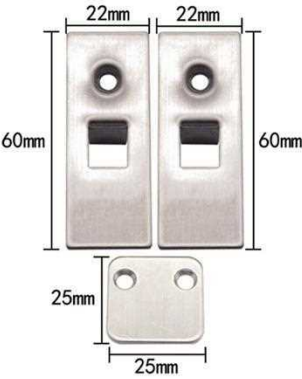
 <p><b>RMD-LE4</b></p>			<ol style="list-style-type: none"> <li>1. Housing is 6063 aluminum with 304 stainless steel fasteners and screws.</li> <li>2. Silicone rubber seal as standard.</li> <li>3. Square brass heads are standard.</li> <li>4. Lengths: customized from 300 mm to 1500 mm.</li> <li>5. Normal lengths 800 mm, 915 mm and 1000 mm 800 mm can be cut to 700 mm 915 mm can be cut to 800 mm 1000 mm can be cut to 900 mm.</li> </ol>
--	---	--	---


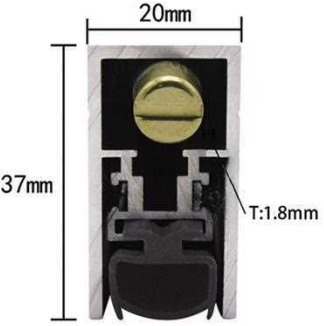
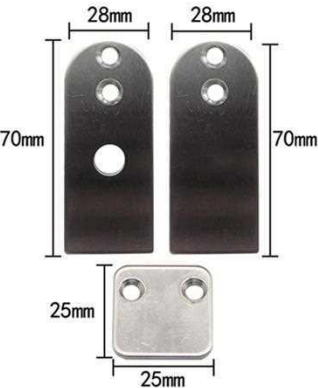
 <p><b>RMD-L03</b></p>			<ol style="list-style-type: none"> <li>1. Housing is 6063 aluminum with aluminum fasteners and stainless steel screws.</li> <li>2. Silicone rubber seal as standard.</li> <li>3. Round metal head as standard</li> <li>4. Lengths: customized from 300 mm to 1500 mm.</li> <li>5. Normal lengths 800 mm, 915 mm and 1000 mm 800 mm can be cut to 700 mm 915 mm can be cut to 800 mm 1000 mm can be cut to 900 mm.</li> </ol>
--	---	--	--

 <p><b>RMD-LL0</b></p>			<ol style="list-style-type: none"> <li>1. Housing is 6063 aluminum with 304 stainless steel fasteners and screws.</li> <li>2. Silicone rubber seal as standard.</li> <li>3. Round brass heads are standard.</li> <li>4. Lengths: customized from 300 mm to 1500 mm.</li> <li>5. Normal lengths 800 mm, 915 mm and 1000 mm 800 mm can be cut to 700 mm 915 mm can be cut to 800 mm 1000 mm can be cut to 900 mm.</li> </ol>
--	---	--	--


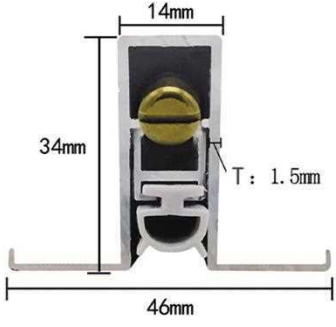
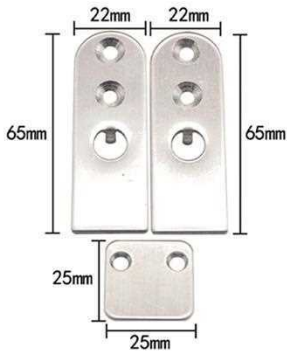
**RMD SERIES  
AUTOMATIC DROP DOWN SEAL**

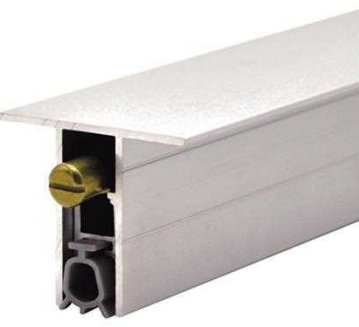
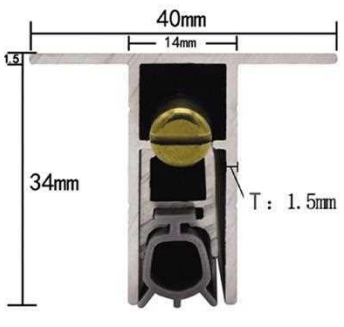
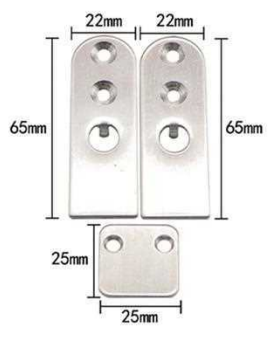
 <p><b>RMD-LE6</b></p>			<ol style="list-style-type: none"> <li>1. Housing is 6063 aluminum, fixtures are stainless steel</li> <li>2. Silicone rubber seal as standard.</li> <li>3. Round brass heads are standard.</li> <li>4. Lengths: customized from 300 mm to 1500 mm.</li> <li>5. Normal lengths 800 mm, 915 mm and 1000 mm 800 mm can be cut to 700 mm 915 mm can be cut to 800 mm 1000 mm can be cut to 900 mm.</li> </ol>
---	---	--	---

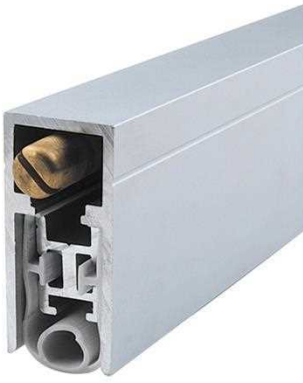
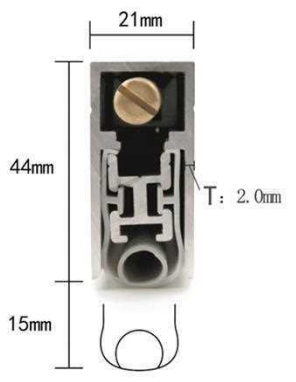
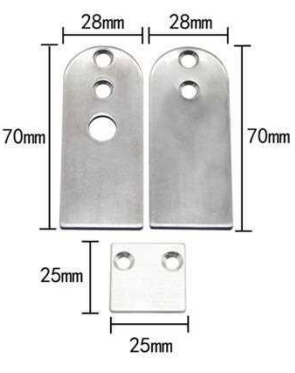
 <p><b>RMD-LE7</b></p>			<ol style="list-style-type: none"> <li>1. Housing is 6063 aluminum with 304 stainless steel fasteners and screws.</li> <li>2. PVC seals are standard.</li> <li>3. Standard Configuration Copper Head</li> <li>4. Lengths: customized from 300 mm to 1500 mm.</li> <li>5. Normal lengths 800 mm, 915 mm and 1000 mm 800 mm can be cut to 700 mm 915 mm can be cut to 800 mm 1000 mm can be cut to 900 mm.</li> </ol>
---	---	--	---

 <p><b>RMD-LE9</b></p>			<ol style="list-style-type: none"> <li>1. Housing is 6063 aluminum with 304 stainless steel fasteners and screws.</li> <li>2. Silicone rubber seal as standard.</li> <li>3. Round brass heads are standard.</li> <li>4. Lengths: customized from 300 mm to 1500 mm.</li> <li>5. Normal lengths 800 mm, 915 mm and 1000 mm 800 mm can be cut to 700 mm 915 mm can be cut to 800 mm 1000 mm can be cut to 900 mm.</li> </ol>
---	---	--	--


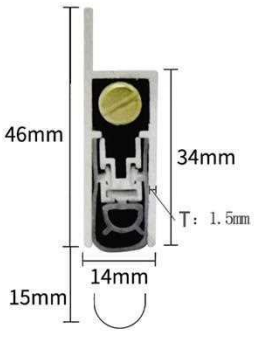
**RMD SERIES  
AUTOMATIC DROP DOWN SEAL**


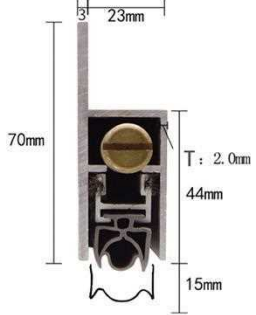
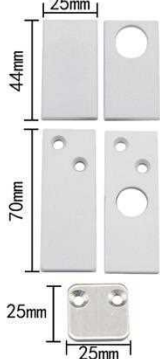
 <p><b>RMD-LS3</b></p>			<ol style="list-style-type: none"> <li>Housing is 6063 aluminum, fixtures are stainless steel</li> <li>Silicone rubber seal as standard.</li> <li>Round brass heads are standard.</li> <li>Lengths: customized from 300 mm to 1500 mm.</li> <li>Normal lengths 800 mm, 915 mm and 1000 mm 800 mm can be cut to 700 mm 915 mm can be cut to 800 mm 1000 mm can be cut to 900 mm.</li> </ol>
--	---	--	--


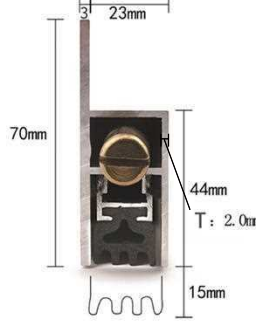
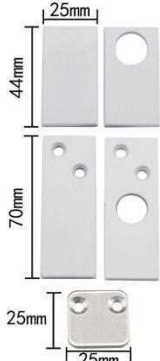
 <p><b>RMD-LS4</b></p>			<ol style="list-style-type: none"> <li>Housing is 6063 aluminum with 304 stainless steel fasteners and screws.</li> <li>Silicone rubber seal as standard.</li> <li>Round metal heads are standard.</li> <li>Lengths: customized from 300 mm to 1500 mm.</li> <li>Normal lengths 800 mm, 915 mm and 1000 mm 800 mm can be cut to 700 mm 915 mm can be cut to 800 mm 1000 mm can be cut to 900 mm.</li> </ol>
--	---	--	---

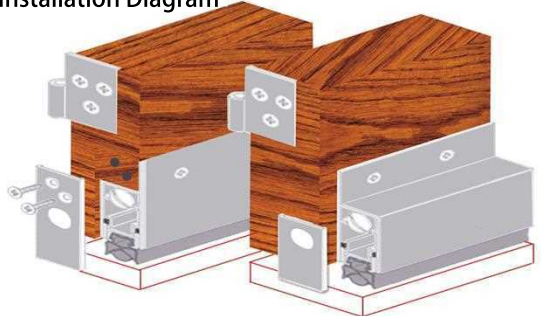

 <p><b>RMD-LL3</b></p>			<ol style="list-style-type: none"> <li>Housing is 6063 aluminum with 304 stainless steel fasteners and screws.</li> <li>Fully encapsulated silicone rubber seal as standard</li> <li>Round brass heads are standard.</li> <li>Lengths: customized from 300 mm to 1500 mm.</li> <li>Normal lengths 800 mm, 915 mm and 1000 mm 800 mm can be cut to 700 mm 915 mm can be cut to 800 mm 1000 mm can be cut to 900 mm.</li> </ol>
---	---	--	---

**RMD SERIES  
AUTOMATIC DROP DOWN SEAL**

 <p><b>RMD-LQ3</b></p>		<ol style="list-style-type: none"> <li>1. Housing is 6063 aluminum with 304 stainless steel fasteners and screws.</li> <li>2. TPE seals are used.</li> <li>3. Round brass heads are standard.</li> <li>4. Lengths: Custom lengths from 250 mm to 1500 mm are available.</li> <li>5. Normal lengths 800 mm, 915 mm and 1000 mm 800 mm can be cut to 700 mm 915 mm can be cut to 800 mm 1000 mm can be cut to 900 mm.</li> </ol>
---	---	--



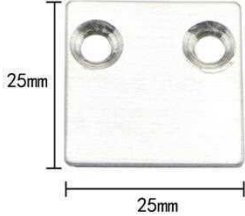
 <p><b>RMD-LY6A</b></p>		 <p>Surface mounted fittings</p> <p>Accessories for concealed installation</p>	<ol style="list-style-type: none"> <li>1. 6063 aluminum housing with 304 stainless steel screws and nylon cover tabs.</li> <li>2. Silicone rubber seals are standard, black foam seals are optional.</li> <li>3. Round brass heads are standard.</li> <li>4. Lengths: Custom lengths from 650 mm to 1500 mm are available.</li> <li>5. Normal lengths 800 mm, 915 mm and 1000 mm 800 mm can be cut to 700 mm 915 mm can be cut to 800 mm 1000 mm can be cut to 900 mm.</li> </ol>
---	--	--	---



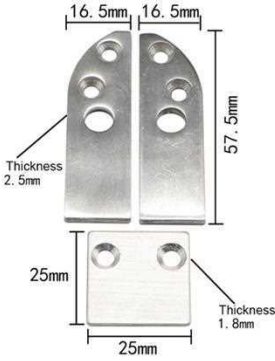
 <p><b>RMD-LY6B</b></p>		 <p>Surface mounted fittings</p> <p>Accessories for concealed installation</p>	<ol style="list-style-type: none"> <li>1. 6063 aluminum housing with 304 stainless steel screws and nylon cover tabs.</li> <li>2. Silicone rubber seals are standard, black foam seals are optional.</li> <li>3. Round brass heads are standard.</li> <li>4. Lengths: Custom lengths from 650 mm to 1500 mm are available.</li> <li>5. Normal lengths 800 mm, 915 mm and 1000 mm 800 mm can be cut to 700 mm 915 mm can be cut to 800 mm 1000 mm can be cut to 900 mm.</li> </ol>
--	---	---	---

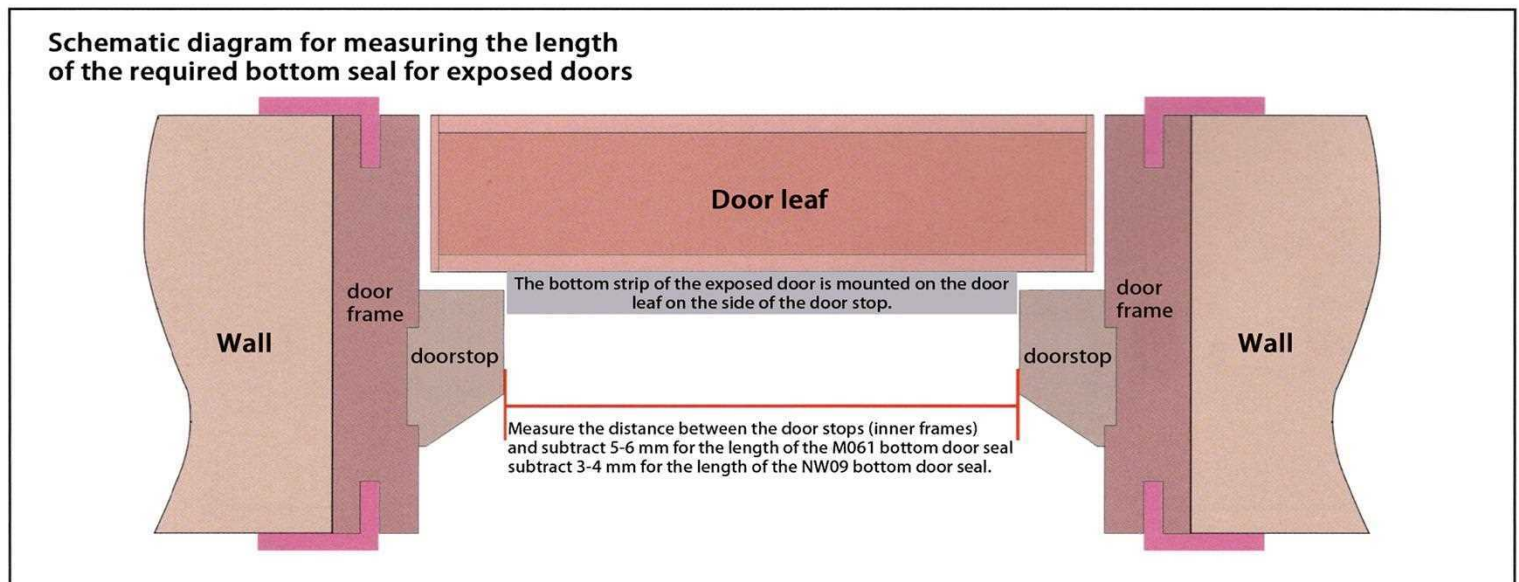
<p><b>Installation Diagram</b></p>  <p>Semi-Concealed      Open-Faced</p>	
--	--



**RMD SERIES  
AUTOMATIC DROP DOWN SEAL**

 <p><b>RMD-L09</b></p>	 <p>9mm 41mm 15mm</p>	 <p>25mm 25mm</p>	<ol style="list-style-type: none"> <li>1. Housing is 6063 aluminum with stainless steel fasteners and screws.</li> <li>2. Silicone rubber seal as standard.</li> <li>3. Round metal heads are standard.</li> <li>4. The shell is attached with intumescent fire strips, which will intumescent rapidly after encountering flames, and is suitable for fire doors.</li> <li>5. Lengths: customized from 250 mm to 1500 mm.</li> <li>6. Normallengths 800 mm, 915 mm and 1000 mm 800 mm can be cut to 700 mm 915 mm can be cut to 800 mm 1000 mm can be cut to 900 mm.</li> </ol>
--	--	---	---

 <p><b>RMD-LL1</b></p>	 <p>55mm 16mm</p>	 <p>16.5mm, 16.5mm 57.5mm Thickness 2.5mm 25mm 25mm Thickness 1.8mm</p>	<ol style="list-style-type: none"> <li>1. Housing is 6063 aluminum with 304 stainless steel fasteners and screws.</li> <li>2. Silicone rubber seal as standard.</li> <li>3. Round brass heads are standard.</li> <li>4. Lengths: customized from 250 mm to 1500 mm.</li> <li>5. Normallengths 800 mm, 915 mm and 1000 mm 800 mm can be cut to 700 mm 915 mm can be cut to 800 mm 1000 mm can be cut to 900 mm.</li> </ol>
---	--	---	---



## RMD -LL1 INSTALLATION GUIDE



Step 1. The sealing part can be pulled out and change the direction according to left or right opening door.



Step 2. Separate the aluminum cover, adjust the seal be parallel to door bottom and close to the hinge side and then fix screw.



Step 3. After fixing screw in the precutting holes, install the cover.



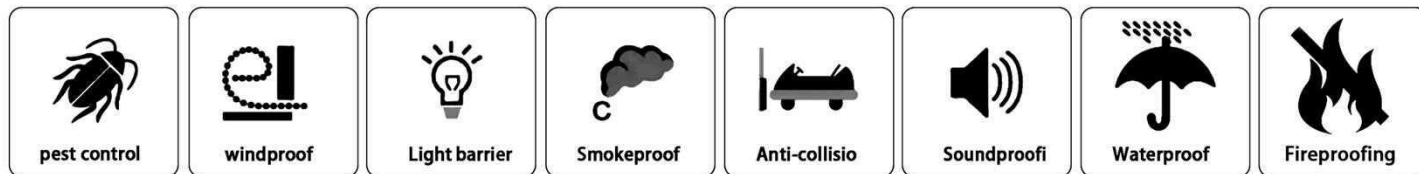
Step 4. Fix the end pad.

Step 5. Fix the other pad on the opposite and make sure the copper rod will touch the pad when close the door. When close the door, the silicone seal should be close to the floor tightly. The distance could be adjust through rotating rod.



## RMD/RPB SERIES FIREPROOF INTUMESCENT AUTOMATIC DROP DOWN SEAL

In addition to all the functions of an automatic door bottom strip, RMD/RPB Series Fireproof Intumescent Automatic Drop Down Seal is also fireproof. It is an excellent fireproofing door bottom sealing solution for fireproof doors.


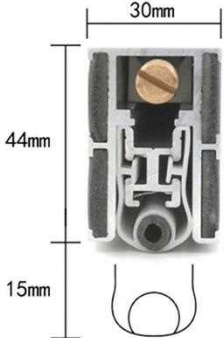
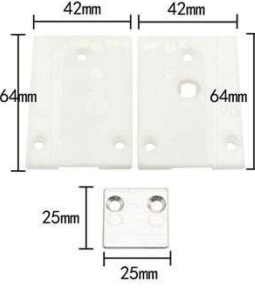


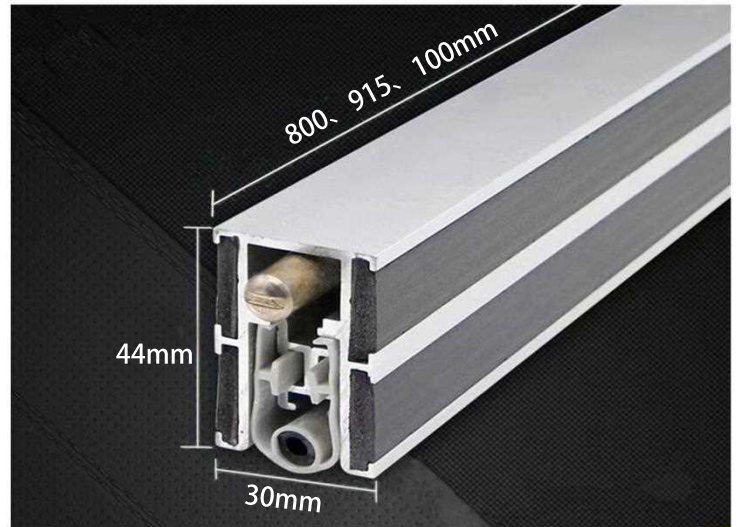
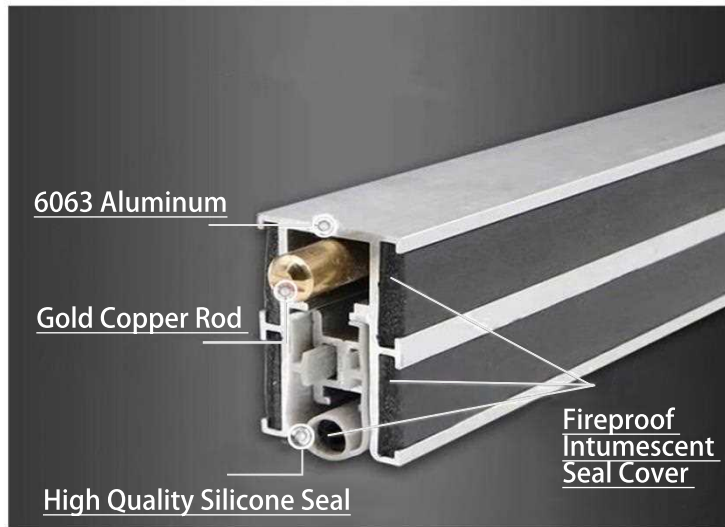
RMD/RPB Series Fireproof Intumescent Automatic Drop Down Seal consists of two parts  
The inner part is the body of the automatic drop down seal and the outer part is the fireproof strip to protect the body from flames in case of fire.




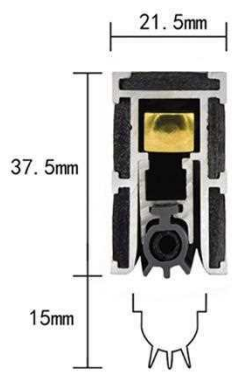
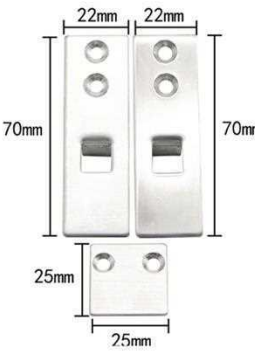
When the fire seal portion of the RMD-RPB is threatened by flames, it reacts quickly and intumescent to protect the bottom bar of the internal automatic door.  
Due to the amazing intumescent effect of the fireproof seals, it also blocks doorways and other locations to prevent the spread of flames and smoke.

**RMD/RPB SERIES  
FIREPROOF INTUMESCENT AUTOMATIC DROP DOWN SEAL**

 <p><b>RMD/RPB-01</b></p>			<ol style="list-style-type: none"> <li>1. Housing 6063 aluminum and fixtures are nylon plates with stainless steel screws.</li> <li>2. Adopting a nylon material cover plate.</li> <li>3. Round brass heads are standard.</li> <li>4. The shell is attached with intumescent fire strips, which will intumescent rapidly after encountering flames, and is suitable for fire doors.</li> <li>5. Lengths: customized from 350 mm to 1500 mm.</li> <li>6. Normallengths 800 mm, 915 mm and 1000 mm 800 mm can be cut to 700 mm 915 mm can be cut to 800 mm 1000 mm can be cut to 900 mm.</li> </ol>
--	---	--	---



**RMD/RPB SERIES  
FIREPROOF INTUMESCENT AUTOMATIC DROP DOWN SEAL**

 <p><b>RMD/RPB-02</b></p>			<ol style="list-style-type: none"> <li>1. Housing is 6063 aluminum with stainless steel fasteners and screws.</li> <li>2. Using a stainless steel cover plate.</li> <li>3. Square copper head as standard configuration</li> <li>4. The shell is attached with intumescent fire strips, which will intumescent rapidly after encountering flames, and is suitable for fire doors.</li> <li>5. Lengths: customized from 300 mm to 1500 mm.</li> <li>6. Normal lengths 800 mm, 915 mm and 1000 mm 800 mm can be cut to 700 mm 915 mm can be cut to 800 mm 1000 mm can be cut to 900 mm.</li> </ol>
--	---	--	--



## REPDM-CK SERIES GARAGE DOOR BOTTOM SEAL

The garage door bottom seal effectively enhances the garage experience and environmental quality through a variety of functions such as waterproofing, dustproofing, insect-proofing, windproofing, soundproofing, light-proofing and protecting the garage door, and is an important device to keep the garage interior dry, clean, safe and comfortable.

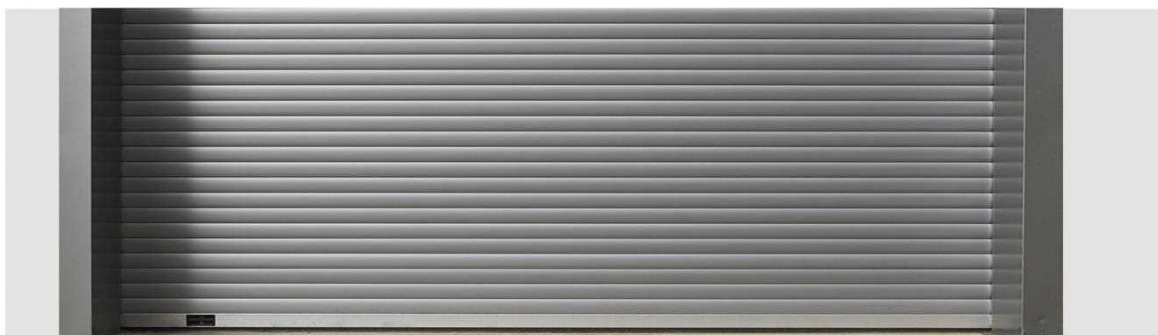
**Anti-crash:** Provides cushioning when closing the door

**Soundproofing:** Reduces noise from outside

**Waterproof:** Effectively prevents rain and ground water from entering the garage through the doorway.

**Simple installation:** simple design, easy to install

**High-quality EPDM material** is wear-resistant and aging-resistant



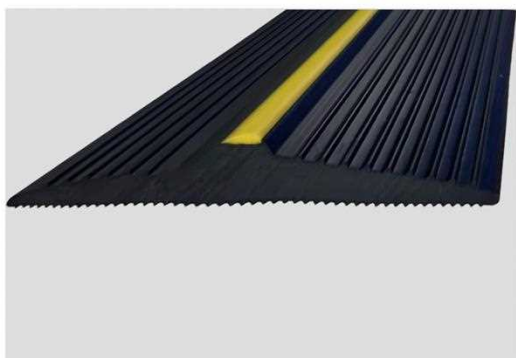
### REPDM-CK01

Composed of EPDM material, easy to install on the bottom of the garage door for waterproof soundproofing, vibration damping and sealing.



### REPDM-CK02

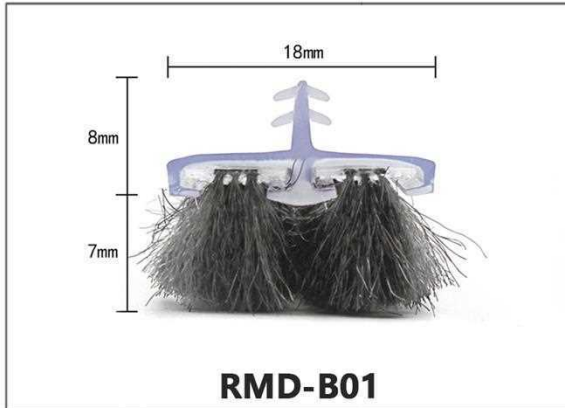
Made of EPDM material, it can be easily installed on the bottom and sides of the garage door for vibration dampening, pest control, soundproofing and sealing. Can be used in combination with REPDM-CK01



### REPDM-CK03

Made of PVC material, it can be easily installed at the bottom of the garage door for vibration damping, windproof, waterproof, insect-proof and sealing.

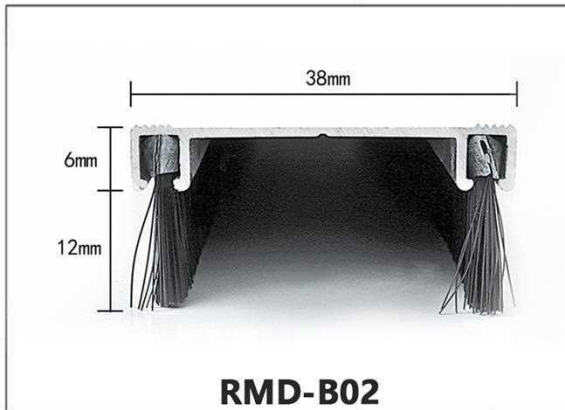
**RMD-B SERIES  
DOOR BOTTOM AND DOOR TOP SEAL**



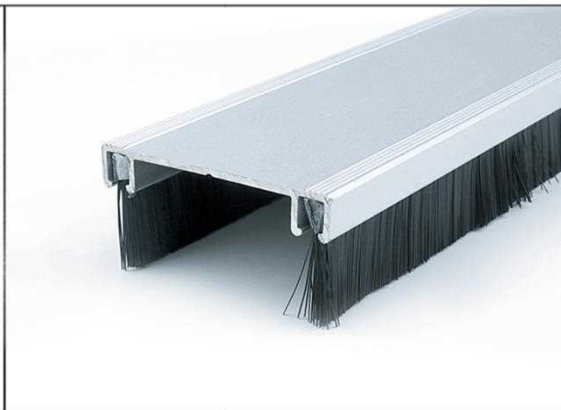
**RMD-B01**



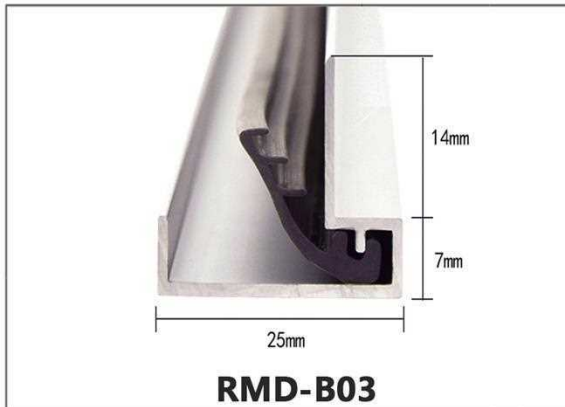
1. Main functions: dustproof, windproof lightproof Sound insulation,etc.
2. Mounting method: Directly installed in the groove.
3. Regular length: 1000 mm.
4. Color: as shown
5. Description: Upper bayonet fixing part made of rigid PVC  
Lower sealing gap part, material is siliconized pile weatherstrip.



**RMD-B02**



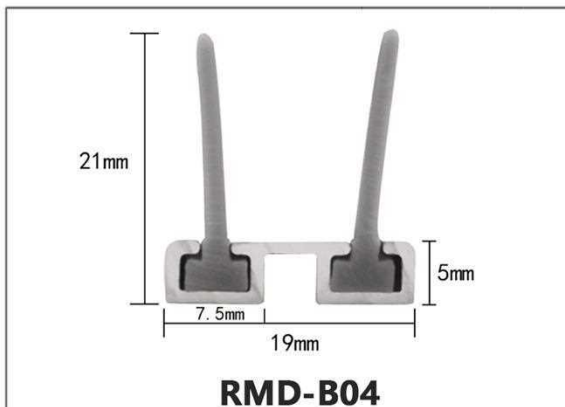
1. Main functions: dustproof, windproof lightproof Sound insulation,etc.
2. Mounting method: For screw fixing.
3. Regular length: 1000 mm.
4. Color: as shown
5. The upper part is made of aluminum alloy and the lower part is made of PP brushes.



**RMD-B03**






1. Main functions: dustproof windproof lightproof Sound insulation,etc.
2. Mounting method: For screw fixing.
3. Regular length: 1000 mm.
4. Color: as shown
5. Aluminum alloy door stile sealing strip, suitable for double door stile sealing strip can solve the flat mouth enterprise mouth opening double door stile sealing problem.



**RMD-B04**



**RMD-PVCYT SERIES  
DOOR BOTTOM SEAL WITH SELF-ADHESIVE**




 <p>7mm 21mm 7mm 20mm Hard pvc Soft pvc</p> <p><b>RMD-BPP</b></p>	 <p>7mm 21mm 7mm 20mm Hard pvc Brush</p> <p><b>RMD-BPS</b></p>	 <ol style="list-style-type: none"> <li>1.Main functions: dustproof, windproof, light blocking, sound insulation, etc.</li> <li>2.Installation: Easy to install, measure the required length when installing. After cutting the excess part, tear off the backing paper release paper to paste the bottom of the door to the bottom of the door can be.</li> <li>3.Conventional length: 1000mm</li> <li>4.Color: brown, off-white, transparent, white.</li> <li>5.Material: BPP PVC The upper part of the adhesive fixing is hard adhesive and the lower part of the seam sealing is soft adhesive. BPS PVC The upper part of the adhesive fixing is hard adhesive and the lower part of the seam sealing is brush.</li> </ol>
--	---	--

 <p>5mm 19mm 17mm Hard pvc Soft pvc</p> <p><b>RMD-PVCYT</b></p>	 <p>White with Brown Transparent</p>	<ol style="list-style-type: none"> <li>1.Main functions: dustproof, windproof, light blocking, sound insulation, etc.</li> <li>2.Installation: Easy to install, measure the required length when installing. After cutting the excess part, tear off the backing paper release paper to paste the bottom of the door to the bottom of the door can be.</li> <li>3.Conventional length: 1000mm</li> <li>4.Color: brown, off-white, transparent, white.</li> <li>5.PVC The upper part of the adhesive fixing is hard adhesive and the lower part of the seam sealing is soft adhesive.</li> </ol>
--	---	---

 <p>11mm 24mm 4mm 13mm Hard pvc</p> <p><b>RMD-BPM</b></p>		<ol style="list-style-type: none"> <li>1.Main functions: dustproof, windproof, light blocking, sound insulation, etc.</li> <li>2.Installation: Easy to install, measure the required length when installing. After cutting the excess part, tear off the backing paper release paper to paste the bottom of the door to the bottom of the door can be.</li> <li>3.Conventional length: 1000mm</li> <li>4.Color: brown, off-white, transparent, white.</li> <li>5.Material: PVC The upper part of the adhesive fixing part is hard adhesive and the lower part of the sealing gap is brush.</li> </ol>
--	---	---

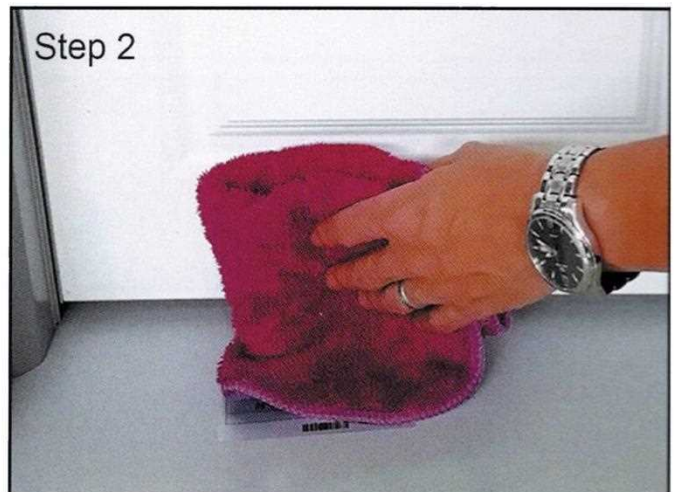


**RMD-BL SERIES  
ALUMINIUM HOLDER DOOR BOTTOM SEAL**

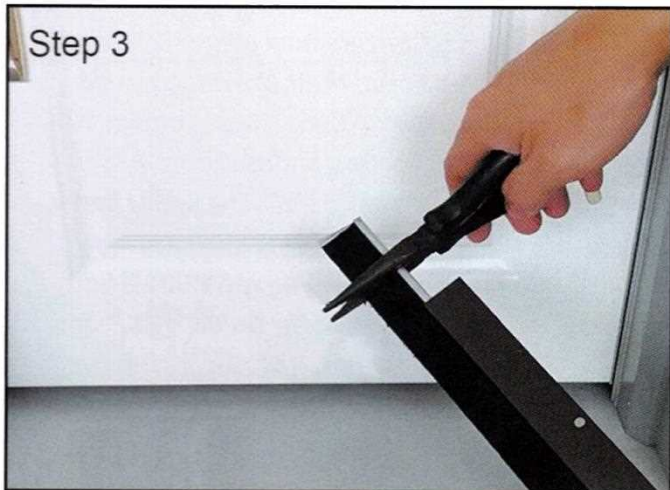
 <p><b>RMD-BLS</b></p>	 <p><b>RMD-BLP</b></p>	 <ol style="list-style-type: none"> <li>1. Main function: dustproof, windproof, light shielding, sound insulation, etc.</li> <li>2. Installation: Easy to install, measure the required length when installing. After cutting off the excess part, you can fix the aluminium alloy to the bottom part of the door with the allocated screws.</li> <li>3. Regular length: 1000 mm.</li> <li>4. Color: brown, beige, transparent, white.</li> <li>5. Material: BLS Aluminium alloy for the upper fixed part and brush for the lower part of the joint seal.  BLP Aluminium alloy for the upper fixed part and soft rubber for the lower part of the joint seal.</li> </ol>
---	---	--



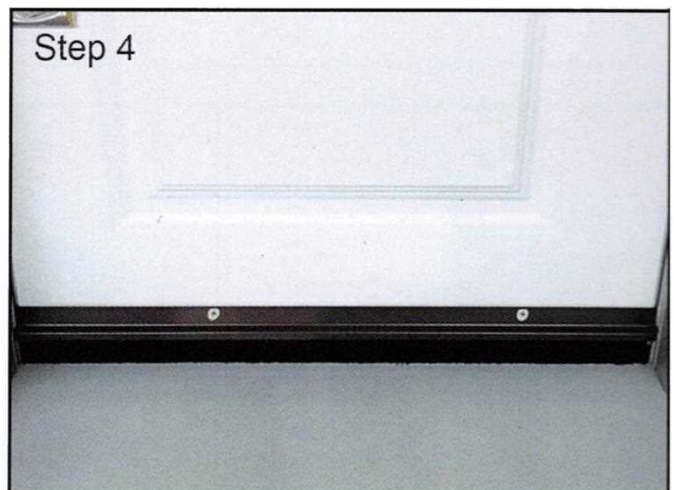
**Step 1**  
Cut the length according to the door width, suggest to cut about 2mm shorter than the door width.



**Step 2**  
Clean the surface of the door bottom, make it clear and dry

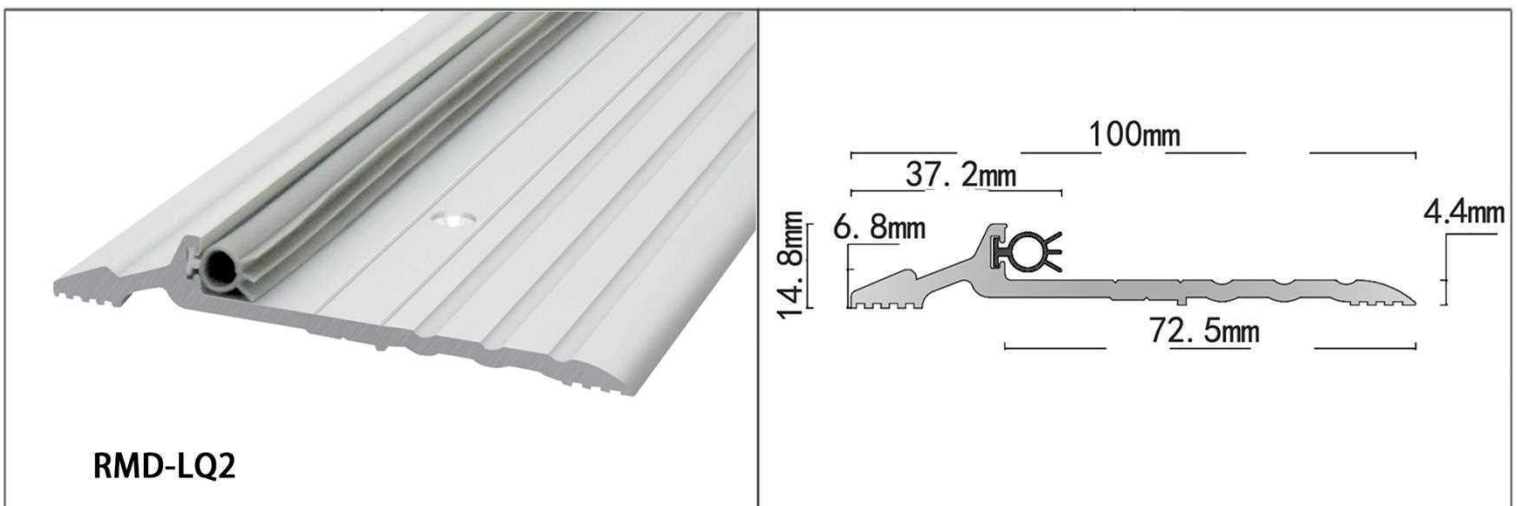
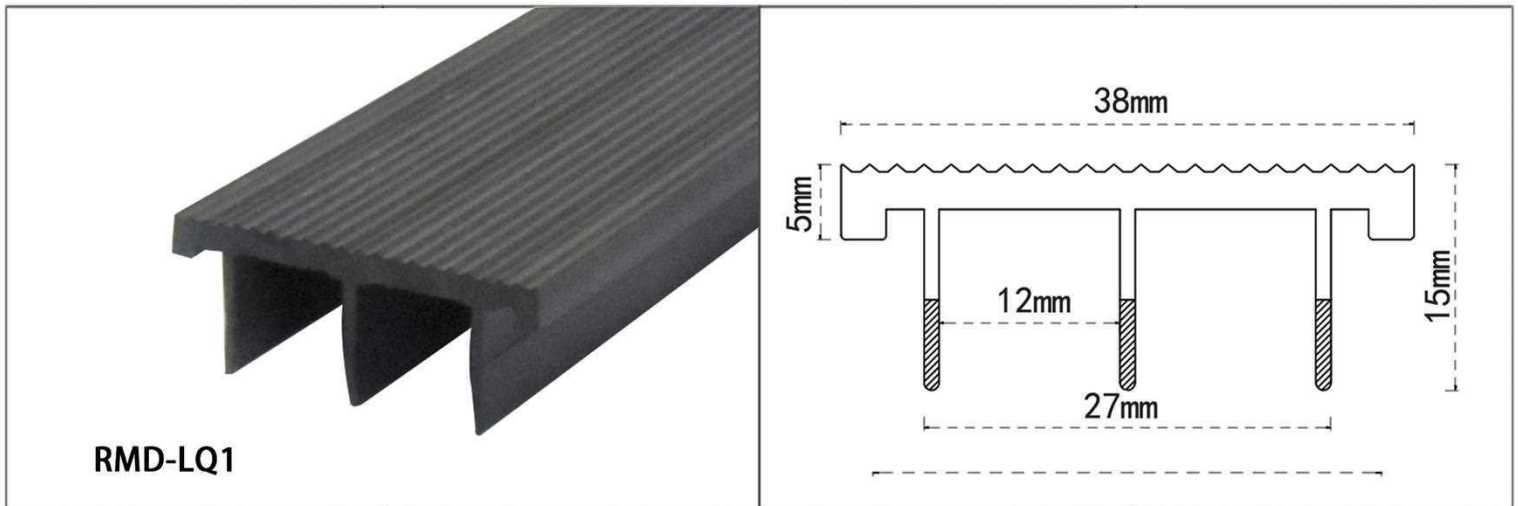
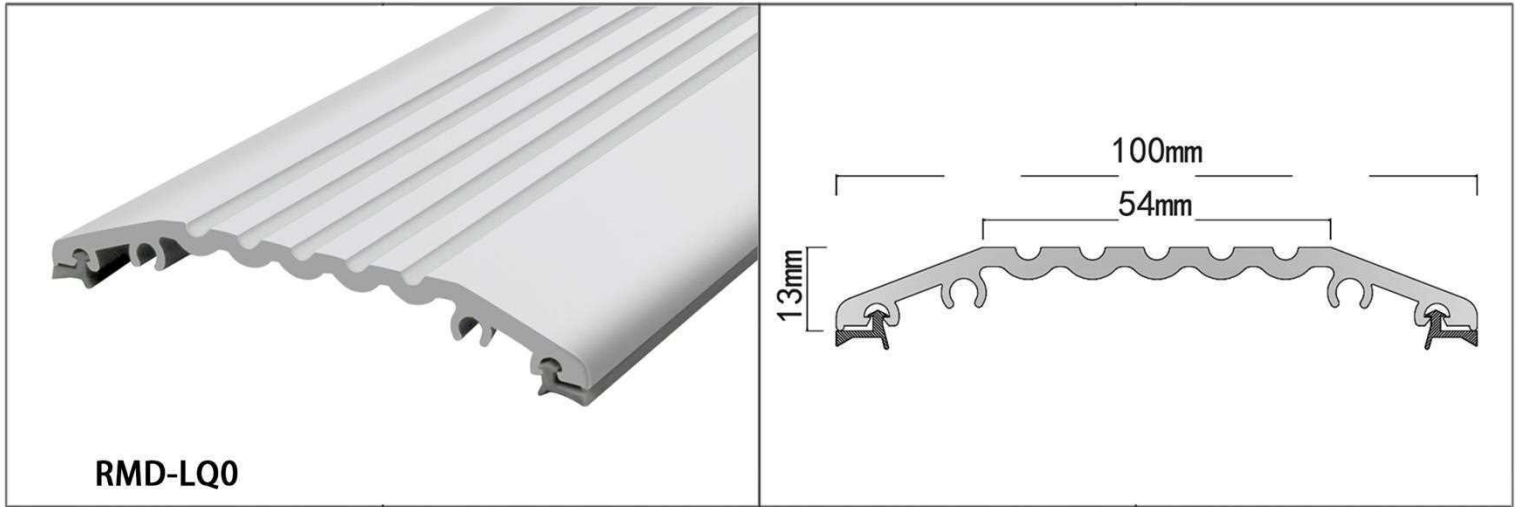


**Step 3**  
The brush can be pulled out and cut by pliers, the PVC tape can be cut by scissors or saws.



**Step 4**  
Aluminium part can be cut by cutting machine.

RMD-LQ SERIES  
DOOR THRESHOLD



**RMD SERIES  
MULTI-FUNCTION SEALING STRIPS**

<p><b>RMD-LY3A</b></p>	<p><b>RMD-LY3B</b></p>	<p><b>RMD-LY3C</b></p>	<p><b>RMD-LY4</b></p>	<p><b>RMD-LY9</b></p>

		<ol style="list-style-type: none"> <li>1.The housing is made of 6063 aluminum and is screwed in place.</li> <li>2.Seal rubber strip: optional silicone rubber material or brush material</li> <li>3.Standard length: 1000mm and 2400mm</li> </ol>
--	--	---

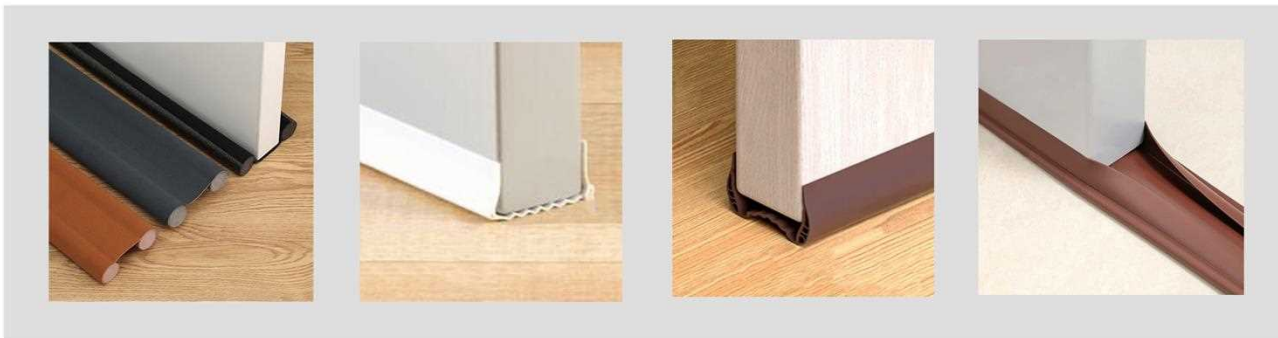
<p><b>Step 1</b></p>	<p><b>Step 2</b></p>	<p><b>Step 3</b></p>
<p><b>Position Adjust</b></p> <p>Put the seal against the door or floor.</p>	<p><b>Secure the Screw</b></p> <p>Remove the silicone seal, and screw the aluminium profile on door.</p>	<p><b>Cover the Silicone Seal</b></p> <p>Cover the silicone seal back on the aluminum profile.</p>

## DOOR BOTTOM SHOES

Door bottom seals and door sweeps are widely used in wooden doors, security doors, sliding doors and most aluminum doors, also suitable for home installation. The most important function is anti-vibration, protect the edge of the door and prolong the life of the door. And it is windproof and insect-proof, solving the problem of excessive wind leakage as well as the entry of crawling insects in the door cracks. It can also effectively reduce noise and create a quiet environment.

High quality material, environmental health  
Thickness guarantee, strong windproof performance  
Multiple sizes and choices  
Effectively prevent dust from entering  
Material can prevent insects

Color is optional brown white black grey 



Dustproof, windproof and pest-proof



Multiple colors to choose from

**DOOR BOTTOM SHOES**



# Contact Us

We appreciate your interest in our products. For inquiries and further information please reach out to us through the following channels

☎ Tel./WhatsApp:0086-18845111091

🌐 Email: [sales@ressatech.com](mailto:sales@ressatech.com)

✉ Website: [www.ressaseal.com](http://www.ressaseal.com)

**Follow us on social media for the latest product updates!**

Facebook: <https://www.facebook.com/ressaseal>

Youtube: <https://www.youtube.com/@Ressaintumescentseal>

LinkedIn: <https://www.linkedin.com/company/ressaintumescentseal>

Instagram: <https://www.instagram.com/ressaseal/>

Twitter: <https://x.com/ressaseal>

pinterest: <https://www.pinterest.com/ressaintumescentseal/>

Tiktok: <https://www.tiktok.com/@intumescentsealressa>

**We look forward to assisting you!**